

CRIME IN  
SOUTH DAKOTA:  
1975-1976



SOUTH DAKOTA  
STATISTICAL ANALYSIS CENTER

CRIME

IN

SOUTH DAKOTA

1975-1976

June, 1977

This document was printed to  
publish the report of the South  
Dakota Statistical Analysis  
Center on crime in South Dakota  
for 1975 and 1976 at a per copy  
cost of \$1.80.

Prepared by  
THE SOUTH DAKOTA STATISTICAL ANALYSIS CENTER  
Criminal Justice Studies Program  
University of South Dakota  
Vermillion, S.D. 57069

James R. Villone.....Director  
George Breed.....Coordinator  
Michel Hillman.....Research Associate  
Diane Beecher.....Research Associate  
James Martin.....Research Associate  
Sue Kracht.....Secretary

This project was supported by grants from the Department of Justice, Law Enforcement Assistance Administration under the Omnibus Crime Control and Safe Streets Act of 1968, as amended. (Grant Numbers: 76-SS-08-0002, 76-ED-08-009 and 76-DF-08-0023. Points of view or opinions stated in this report are those of the authors and do not necessarily represent the official position or policies of The U.S. Department of Justice.

## ACKNOWLEDGEMENT

This report would not be possible without the voluntary cooperation of personnel in many local and state agencies. Special appreciation is extended to these individuals who supplied the raw data upon which this report is based.

The Division of Law Enforcement Assistance staff provided input into the content of this report as well as valuable reactions to a draft of the crime analysis section.

Mike Hillman and George Breed were responsible for writing the major portion of this report although important contributions were made by the entire Statistical Analysis Center Staff.

Georgia Clark, Jeff Goldhammer, Jody Youngstrom and Julie Brandt spent many long and patient hours with an electronic calculator to organize much of the information in this report.

The final copy of the report was typed by Sue Kracht, Georgia Clark and Mary Robinson.

## CONTENTS

	<u>Page</u>
I TABLES.....	iv
II FIGURES.....	vii
III CRIME RATES IN SOUTH DAKOTA.....	1
Availability of Crime Data.....	4
Crime in South Dakota.....	4
Urban Verses Rural Crime.....	8
Urban Crime.....	10
City Crime Rates.....	12
Planning District Crime Rates.....	14
High Crime Areas.....	17
Comparative Analysis.....	25
Fingerprint Records.....	35
Comparison between Crime and Fingerprint Records.....	36
Age, Sex and Race of Persons Arrested.....	38
Victimization Survey: Preliminary Results.....	40
Victimization Rates.....	41
Victim Reporting of Crimes.....	44
Crime on South Dakota Indian Reservations.....	44
Crime in 1974.....	47
Crime in 1975.....	50
IV CORRELATES OF CRIME IN SOUTH DAKOTA.....	55
V THE SOUTH DAKOTA CRIMINAL JUSTICE SYSTEM.....	62
Felonies: 1975.....	65
Felonies: 1976.....	70
Misdemeanors: 1975.....	75
Misdemeanors: 1976.....	77
State Judiciary Juvenile Referrals.....	82
Probation, Prison and Parole: 1972-1976.....	84
Adult Corrections.....	84
Juvenile Corrections.....	86
VI SYSTEM RESOURCES.....	90
Criminal Justice Expenditures in South Dakota.....	90
State Agency Expenditures.....	91
Local Level Expenditures.....	91
Expenditures in High Crime Areas.....	93
Criminal Justice Employment in South Dakota.....	96
Employment in State Agencies.....	96
Employment in Planning Districts.....	96
High Crime Area Employment.....	96
Workload Data.....	100
VII SUMMARY.....	103
VIII APPENDIX.....	109

TABLES

<u>Table</u>	<u>Page</u>
1 1975 UCR Data Base Description	3
2 Estimated 1975 Crime Rates	5
3 Estimated Crime Rate in States Similar to South Dakota	7
4 An Analysis of Urban and Rural Crimes in South Dakota	9
5 Rate of Offenses Known to Police by City Size 1975	11
6 Rate of Offenses Known to Police in South Dakota Cities 1975	13
7 Estimated Number of Crimes and Crime Rates in South Dakota's Planning Districts 1975	15
8 Annual Crime Rates, Percentage Change, and a Three Year Projection for Part I Crimes	18
9 The Estimated Number of UCR Part I Offenses occurring in South Dakota during 1973, 1974 and 1975	26
10 High Crime Areas in South Dakota Ranked by Crime Rate, Incidence and Growth Rate for Part I Offenses	30
11 Population, Crime and Persons Fingerprinted in South Dakota Counties	37
12 Age, Sex and Race Characteristics of Persons Arrested	39
13 Preliminary Analysis of 1976 Victimization Rates in South Dakota's Planning Districts	42
14 Victimization Rates in Selected High Crime Areas	45
15 Percentage of Victimization Reported to Law Enforcement Agencies	47
16 Rate of Offenses Known to Agencies on Indian Reservations in South Dakota 1974	48
17 Rate of Offenses Known to Agencies on Indian Reservations in South Dakota 1975	51
18 15 Counties Rank Ordered on 1975 Crime Rate	57
19 Correlations between Crime Rate and Socioeconomic Variables	59
20 Circuit Disposition of Initial Appearances: 1975 Felonies	68

<u>Table</u>	<u>Page</u>
21 Convictions by Circuit for Court and Jury Felony Trials: 1975	69
22 Circuit Disposition of Initial Appearances: 1976 Felonies	72
23 Convictions by Circuit for Court and Jury Felony Trials: 1976	74
24 Circuit Disposition of Initial Appearances: 1975 Misdemeanors	76
25 Convictions by Circuit for Court and Jury Trials: 1975 Misdemeanors	78
26 Circuit Disposition of Initial Appearances: 1976 Misdemeanors	80
27 Convictions by Circuit for Court and Jury Trials: 1976 Misdemeanors	81
28 State Judiciary Juvenile Referral Statistics: Males, Calendar Year 1976	83
29 State Judiciary Juvenile Referral Statistics: Females, Calendar Year 1976	83
30 Number and Percent Change of State Penitentiary Inmates from Calendar Year 1972 to 1976	87
31 Number and Percent Change of State Penitentiary Inmates from Fiscal Year 1972 to 1975	87
32 Adults Placed on Parole: 1972-1976	88
33 Adults Placed on Probation: Fiscal Years 1972-1976 (Division of Corrections)	88
34 State Training School Population: Fiscal Years 1972-1976	89
35 Youth Forestry Camp Population: Fiscal Years 1972-1976	89
36 FY 1975 State Agency Expenditures	92
37 Reported Local Level Criminal Justice Expenditures in Planning Districts	94
38 FY 1975 Criminal Justice Direct Expenditures in the Total State and in High Crime Areas	95
39 FY 1975 Criminal Justice Employment in State Agencies	97



Table

		<u>Page</u>
40	Reported Local Level Criminal Justice Total Employment in Planning Districts	98
41	Criminal Justice Total Employment FY 1975	99
42	Police Workload in South Dakota and Selected States	101

FIGURES

<u>Figure</u>		<u>Page</u>
1	South Dakota Planning Districts	16
2	Criminal Justice System Model	63
3	Felony Cases, South Dakota, Calendar Year 1975	66
4	Felony Cases, South Dakota, Calendar Year 1976	71

## Crime Rates in South Dakota

The most comprehensive statistics on crime in South Dakota are provided through the FBI's Uniform Crime Reports (UCR). This system depends upon the completion of standardized crime reporting forms by local law enforcement agencies throughout the United States. The UCR program provides fixed definition of crimes in an attempt to make crime reporting independent of state and local laws. This permits crime rate comparisons to be made between states or other geographic areas in the country.

UCR definitions of major crimes, those seven listed on the portion of the Uniform Crime Reports known as Part I, are:

- (1) Criminal Homicide-murder and non-negligent manslaughter  
The willful (non-negligent) killing of one human being by another.
- (2) Forcible Rape  
The carnal knowledge of a female forcibly and against her will.
- (3) Robbery  
The taking or attempting to take anything of value from care, custody, or control of a person or persons by force or threat of force or violence and/or by putting the victim in fear.
- (4) Aggravated Assault  
An unlawful attack by one person upon another for the purpose of inflicting severe or aggravated bodily injury. This type of assault usually is accompanied by the use of a weapon or by means likely to produce death or great bodily harm.
- (5) Burglary-Breaking or Entering  
The unlawful entry of a structure to commit a felony or a theft.
- (6) Larceny-Theft  
The unlawful taking, carrying, leading, or riding away of property from the possession or constructive possession of another.
- (7) Motor Vehicle Theft  
The theft or attempted theft of a motor vehicle.

The UCR system is not designed to measure the frequency of every crime that occurs. When more than one type of criminal act is performed during a single incident, only the most serious crime is recorded on UCR forms. (The order of seriousness ranging from the most to the least serious is the same order as the above listing of the Part I crimes.) Thus, while homicide is recorded everytime that it is known to occur, the recording of the other six Part I crimes is dependent upon the co-occurrence of a more serious crime. In addition, crimes that are not one of the seven listed in Part I are not recorded. Thus, Part I of the UCR program does not provide information on such crimes as vandalism, arson, embezzlement, gambling and violations of narcotic and alcohol laws.

Even though a standardized definition of a crime is provided as a part of the UCR package supplied to law enforcement agencies, it cannot be assumed that all agencies code crimes in the same manner. The coding of a crime is in part subjective, therefore crime recording is influenced by such factors as adequacy of crime records, agency policies, turnover of personnel and commitment made by each agency to provide accurate crime data. Recording of crimes is also dependent upon the willingness of the public to report crimes to a law enforcement agency.

Before 1976 UCR data did not provide comprehensive coverage of crime in South Dakota because all law enforcement agencies did not participate in the reporting system. During 1976, South Dakota instituted the state UCR system in which UCR data are first submitted to the state Division of Criminal Investigation before

being forwarded to the FBI. Law Enforcement agency participation in this new system has been virtually 100% thus far. Crime rates in South Dakota may appear to increase in the future since the state UCR system involves crime reporting by more law enforcement agencies.

For purposes of analysis the seven Part I crimes are divided into the categories of violent and property crimes. Homicide, rape, robbery and assault are the violent crimes and burglary, larceny and automobile theft make up the property crimes.

The analysis of crime data which follows is based upon two reference sources. The FBI publishes an annual report, Crime in the United States, which contains crime data for the United States as a whole, for each of the 50 states, and for other geographic subdivisions of the nation. Crime data in this report are of two basic types, estimated crime rates and rate of offenses known to police. Estimated crime rates are calculated values for an entire geographic area that are based on data supplied by the UCR participating agencies in the area. Thus, estimated crime rates are usually based on only a subset of all law enforcement agencies. The rate of offenses known to police includes only data from UCR reporting agencies. No estimates are produced for non-reporting agencies.

The second major source of crime data is the "Crime by County" computer printout of UCR data supplied upon request by the FBI to certain state agencies. This printout contains the estimated number of offenses that occur in each county and most of the cities within the state. This printout has been updated more recently than the

Crime in the United States publication and, therefore, the two sources do not always provide the same estimated crime rates. This difference in reference sources results in the table to table differences in this report.

#### Availability of Crime Data

Before the state UCR program was implemented, statewide coverage was less than perfect. As seen in Table 1, 38 law enforcement agencies serving 30% of South Dakota's population did not report UCR data to the FBI. Almost one-half of the sheriffs in the state (30), representing 45% of the rural population, did not participate in the UCR program. In addition, many reporting agencies supplied less than 12 months of data. Police departments in towns under 2,500 in population should report their crime data to the sheriff of the county. In many cases this reporting may not occur on a regular basis. Good coverage was provided in most of the larger cities and counties in the state.

Because of its incompleteness and, in most instances, its unchecked validity, *the Uniform Crime Report data for South Dakota presented throughout this report should be interpreted with caution.*

#### Crime in South Dakota

Crime rates (number of crimes per 100,000 population)<sup>1</sup> for states similar to South Dakota and the United States average are presented in Table 2. In general, all of these states have lower crime rates than the national average for each Part I crime.

---

<sup>1</sup>The probability that a crime will occur to an individual can be obtained by dividing the crime rate by 100,000. Adjustments need to be made for some crimes, such as rape which, by definition, can only happen to a female.

Table 1

1975 UCR Data Base Description

	Reporting Agencies <sup>a</sup>		Non-Reporting Agencies			
	Number	Population	Percentage of Population	Number	Population	Percentage of Population
Cities <sup>b</sup>	17	265,793	89%	8	32,044	11%
Rural Counties	34	213,413	55%	30	171,750	45%
Total Population	51	479,206	70%	38	203,794	30%

Note. Data derived from "Crime by County 1975", FBI computer printout of June 1976.

<sup>a</sup>Reporting agencies defined as all agencies submitting 3 or more monthly reports for 1975.

<sup>b</sup>Includes towns and cities with a population around 2,500 or more.

15

Table 2

Estimated 1975 Crime Rates

	Homicide	Rape	Robbery	Assault	Violent Rate	Burglary	Larceny	Auto	Property Rate	Total Rate
South Dakota	4	16	31	154	205	668	1,698	168	2,534	2,784
North Dakota	1	6	14	32	53	539	1,614	131	2,284	2,337
Wyoming	10	17	50	128	204	863	2,811	278	3,952	4,156
Montana	5	14	41	129	190	875	2,815	309	3,999	4,189
Idaho	5	16	42	140	204	1,063	2,651	223	3,937	4,141
United States	10	26	218	227	482	1,526	2,805	469	4,800	5,282

Note. Data obtained from Table 3, Crime in the United States, 1975. Crime rates are the number of crimes per 100,000 population.

While property crime rates in these states are relatively low, violent crime rates are less than one half the national average. The robbery rate in each of these states was less than one fourth of the national average. In comparison to the United States as a whole these five states are low in population and population density, have a large proportion of non-urban population and, a low unemployed rate.<sup>2</sup> Thus, the low crime rates in these states may be due in part to their socio-economic climates.

In 1975, the citizens of South Dakota experienced little more than one half the total rate of crime of the United States population in general. South Dakota has the second lowest total crime rate of the states listed in Table 2. (North Dakota not only has a lower total crime rate than South Dakota but has a lower crime rate for all seven Part I offenses.)

Three year trend data for five states and the United States average are presented in Table 3. Except for the North Dakota Standard Metropolitan Statistical Area (Fargo and surrounds), the crime rate for each category reflects an across the board increase in crime between 1973 and 1975. In most cases crime in the five selected states is increasing at a slower rate than the national average. Thus, it appears that crime in these states will continue to remain below the national rate.

The largest percentage of increase for any category listed in Table 3 was experienced by the South Dakota SMSA - the Sioux

---

<sup>2</sup>U.S. Bureau of the Census, Statistical Abstract of the United States: 1976



Table 3

## Estimated Crime Rate in States Similar to South Dakota

South Dakota				
	1973	1974	1975	Change <sup>a</sup>
SMSA	2,875	3,766	4,112	43%
Other Cities	3,701	4,322	4,543	23%
Rural	1,077	1,351	1,247	16%
State Total	2,176	2,671	2,739	26%

North Dakota				
	1973	1974	1975	Change <sup>a</sup>
SMSA	4,349	4,534	4,313	-1%
Other Cities	3,761	3,756	4,332	15%
Rural	642	700	782	22%
State Total	2,078	2,160	2,337	12%

Montana				
	1973	1974	1975	Change <sup>a</sup>
SMSA	5,760	6,791	6,941	21%
Other Cities	4,493	5,629	5,412	20%
Rural	1,434	1,712	1,965	37%
State Total	3,395	4,084	4,189	23%

Wyoming				
	1973	1974	1975	Change <sup>a</sup>
SMSA	none	none	none	none
Other Cities	4,640	5,232	5,736	24%
Rural	1,714	1,672	2,188	28%
State Total	3,413	3,650	4,156	22%

Idaho				
	1973	1974	1975	Change <sup>a</sup>
SMSA	4,663	5,256	5,718	23%
Other Cities	4,646	5,602	5,417	17%
Rural	1,909	2,127	2,231	17%
State Total	3,458	4,083	4,141	20%

United States				
	1973	1974	1975	Change <sup>a</sup>
SMSA	4,823	5,622	6,110	27%
Other Cities	3,349	4,027	4,437	32%
Rural	1,472	1,746	1,997	36%
U.S. Total	4,116	4,821	5,282	28%

Note. Data derived from Crime in the United States, 1973, 1974 and 1975, Tables 1 and 4. Crime rates are the number of crimes per 100,000 population. SMSA = Standard Metropolitan Statistical Area.

<sup>a</sup>Percentage of increase or decrease (-) 1973 to 1975.

Falls area. Although the 1973 to 1975 increase in crime in Sioux Falls was 43% compared to the national average of 27% South Dakota's SMSA still maintained the lowest crime rate of any SMSA category listed in Table 3.

South Dakota's low rural crime rate in 1973 experienced only a 16% increase by 1975 - about one half the national increase in the rural crime rate. This figure may be deceiving because only 45% of South Dakota's rural population was covered by the UCR program in 1975. 1976, the year in which the state UCR program took effect, should provide a more definitive analysis of the rural crime problem in the state.

As a group, South Dakota cities other than Sioux Falls had the highest crime rate in the state for the entire three year period. Between 1973 and 1975, their crime rate increased at less than the national average (23% vs. 32%), however, crime in South Dakota's non-SMSA cities was still slightly higher in 1975 than the average of the nation's non-SMSA cities.

#### Urban versus Rural Crime

An analysis of urban and rural crimes in South Dakota is provided in Table 4. In 1975 the rural population in the state accounted for about 53% of the total population but less than 25% of the total crimes. The difference in urban and rural crime rates is consistent throughout the three year period 1973-1975. Only in 1973 did more violent crimes occur in rural than in urban places, however, due to the smaller urban population, the violent crime rate was lower in rural areas. A larger urban than rural crime rate in the state is consistent with the national crime experience.

An Analysis of Urban and Rural<sup>a</sup> Crimes in South Dakota

Table 4

	1973		1974		1975	
	Urban	Rural	Urban	Rural	Urban	Rural
Population	318,000	367,000	321,392	360,608	322,007	360,993
Violent Crimes Rate per 100,000	429 135	440 120	818 255	416 115	940 292	462 128
Property Crimes Rate per 100,000	10,522 3,309	3,513 957	12,526 3,897	4,455 1,235	13,265 4,119	4,040 1,119
Total Crimes Rate per 100,000	10,951 3,444	3,953 1,077	13,344 4,152	4,871 1,351	14,205 4,411	4,502 1,247

Note. Data obtained from Table 4, Crime in the United States 1973, 1974 and 1975. All rates are expressed in terms of the number of crimes per 100,000 population.

<sup>a</sup>Rural areas are generally considered to be the unincorporated portion of a county that does not lie within a Standard Metropolitan Statistical Area (SMSA).

A more detailed analysis of urban and rural crime rates appears in Table 5. The annual FBI publication, Crime in the United States, breaks down urban crime data into categories by city size as indicated in the table. In the national average, with only a few minor exceptions, crime rates for each Part I offense increase as population increases. In the rural comparison, a rape was slightly more likely to occur to a rural resident in South Dakota than to the average rural resident in the nation. Each of the other six Part I crimes, however, occurred in rural South Dakota at lower than the national rural rate. Homicide, burglary and larceny all occurred at about one half the national rural rate.

#### Urban Crime

South Dakota cities in Group VI (population under 10,000) experienced only about one half of the total crime rate as that in other cities of the same size. This group did experience a higher homicide rate, but, once again the difference was marginal.

Group V cities (population 10,000 to 25,000) also had lower than average crime rates. In fact, the crime rates for robbery, assault, total violent crimes and burglary were not only far below the national average, they were also lower than the smaller Group VI cities in the state. Persons living in a Group V city were less likely than any other South Dakota resident to be a victim of a violent crime.

Cities in South Dakota with the highest crime rate - and the only ones with a total rate higher than the national average - are those in the 25,000 to 50,000 population category (Group IV).

Table 5

Rate of Offenses Known to Police by City Size<sup>a</sup> 1975

City Size	Homicide	Rape	Robbery	Assault	Total Violent	Burglary	Larceny	Auto	Total Property	Total Crimes
Group III 50-100,000 South Dakota United States	3 7	31 26	35 189	68 228	136 451	1,056 1,723	3,360 3,643	345 544	4,761 5,910	4,898 6,361
Group IV South Dakota United States	8 6	26 19	111 130	607 189	752 343	1,466 1,418	4,676 3,401	291 430	6,434 5,248	7,186 5,591
Group V 100-250,000 South Dakota United States	3 4	13 14	8 82	48 168	72 268	519 1,199	2,387 2,996	190 301	3,096 4,496	3,168 4,764
Group VI >100,000 South Dakota United States	5 4	2 12	22 49	141 167	171 232	748 1,038	1,072 2,634	141 210	1,962 3,881	2,132 4,112
Rural South Dakota United States	3 8	14 13	17 25	94 130	128 177	444 873	624 1,069	103 111	1,171 2,052	1,299 2,229

Note. South Dakota data derived from, "Crime by County 1975", FBI computer printout of June, 1976 and Table 6, Crime in the United States, 1975. United States data derived from Table 14, Crime in the United States, 1975. Rate of offenses are the number of crimes per 100,000 population.

<sup>a</sup>Group III cities have a population between 50,000 and 100,000, Group IV cities between 25,000 and 50,000, Group V cities between 10,000 and 25,000. Group VI cities have under 10,000 population.

Of the seven Part I crimes, only robbery and automobile theft rates are not higher in the average South Dakota Group IV city than in the national Group IV average. Assault, in particular, is a major problem with a rate more than three times the average of other cities the same size.

The only Group III city in South Dakota--Sioux Falls--has a lower than average crime rate for every Part I offense except rape. Violent crimes as a group are, however, much less likely to occur to a citizen of Sioux Falls than to someone living in an average United States city of the same size.

City crime rates. This section and later sections of the report contain UCR crime data for individual cities in South Dakota. The determination of UCR crime rates is dependent in part on the willingness of citizens to report crimes and the efficiency of law enforcement agencies in recording crimes. Therefore, crime rates and changes in crime rates in specific geographic areas can sometimes be attributed to factors other than crime itself. Crime data presented in this report needs to be supplemented with an understanding of the local conditions affecting the reporting of crimes.

Table 6 presents Part I UCR crime data for individual cities in South Dakota. It is apparent that the high crime rates of Group IV cities seen in Table 5 are due to the exceptionally high crime rate in Rapid City. With a total crime rate of 8,450, Rapid City has a crime rate far above the national average and, indeed, the highest crime rate of any city in the state. The high crime rate in Rapid City largely accounts for

Table 6

Rate of Offenses Known to Police in South Dakota Cities 1975

City Size	Homicide	Rape	Robbery	Assault	Total Violent	Burglary	Larceny	Auto	Total Property	Total Crimes
<u>Group III</u>										
Sioux Falls	3	31	35	68	136	1,056	3,360	345	4,761	4,898
Average	3	31	35	68	136	1,056	3,360	345	4,761	4,898
<u>Group IV</u>										
Aberdeen	0	11	44	180	236	1,078	3,522	103	4,703	4,938
Rapid City	12	35	149	846	1,043	1,685	5,325	397	7,407	8,450
Average	8	26	111	607	752	1,466	4,676	291	6,434	7,186
<u>Group V</u>										
Brookings	7	14	7	0	28	189	1,349	84	1,622	1,650
Mitchell	0	14	0	137	152	620	2,410	144	3,175	3,326
Pierre	0	60	20	40	119	962	3,043	297	4,302	4,421
Vermillion	10	0	0	76	86	781	1,286	114	2,181	2,267
Watertown	0	0	21	14	34	214	2,010	221	2,446	2,480
Yankton	0	0	0	25	25	562	4,479	310	5,351	5,376
Average	3	13	8	48	72	519	2,387	190	3,096	3,168
<u>Group VI</u>										
Hot Springs	0	0	19	56	75	826	1,183	38	2,047	2,122
Lead	0	0	65	636	702	816	995	277	2,089	2,790
Madison	0	0	0	15	15	60	0	0	60	75
Sisseton	0	0	31	94	125	1,061	936	0	1,997	2,122
Spearfish	0	0	0	126	126	2,363	1,389	325	4,076	4,203
Sturgis	0	0	57	0	57	208	2,930	246	3,383	3,440
Winner	50	0	0	25	75	175	999	50	1,224	1,298
Belle Fourche	0	21	0	83	103	537	289	124	950	1,054
Average	5	2	22	141	171	748	1,072	141	1,962	2,132

Note. Data derived from "Crime by County 1975", FBI computer printout of June, 1976. Rate of offenses are the number of crimes per 100,000 population.

<sup>a</sup>Group III cities have a population between 50,000 and 100,000, Group IV cities between 25,000 and 50,000, Group V cities between 10,000 and 25,000. Group VI cities have under 10,000 population.

the higher than average rate of crime for South Dakota non-SMSA cities found in Table 3.

Yankton is the only Group V city in the state with a total crime rate above the national group average. This is due to high rates of larceny and auto theft. Cities high in violent crimes include Brookings and Vermillion (homicide) and Pierre (rape). Pierre also has a slightly elevated larceny rate.

Only one city, Spearfish, had a total crime rate above the national average for Group VI cities in 1975. This was due to higher than average rates of burglary and auto theft. Lead was the only city of this group with a high rate of total violent crimes. In Lead the robbery rate was higher than average and the rate of assault was far above both the South Dakota and United States average for Group VI cities. Lead experienced 636 assaults per 100,000 population compared to the South Dakota average of 141 and the national average of 167. Other cities in this group with higher than average crime rates include Sturgis (larceny), Winner (homicide) and Belle Fourche (rape).

#### Planning District Crime Rates

As seen in Figure 1 South Dakota is divided into six Planning Districts. Crime data for the states Planning Districts can be found in Table 7. Two districts (II and VI) have rates of crime above the South Dakota average. District II has a higher than average crime rate for all three property crimes and rape. Most of the population of District II live within the Sioux Falls SMSA and therefore it is not surprising that this largely urban district has a higher crime rate than other, more rural, areas of the state.



Table 7

Estimated Number of Crimes and Crime Rates in South Dakota's Planning Districts<sup>a</sup> 1975

	Planning District						S.D.	U.S.
	I	II	III	IV	V	VI		
Population	98,573	150,281	95,086	116,386	82,391	140,283	683,000	213,124,000
Homicides Rate	2	3	0	1	3	10	19	20,510
Rapes Rate	11	35	9	10	15	31	111	56,090
Robberies Rate	13	23	9	9	18	22	16	26
Assaults Rate	31	35	12	29	17	103	209	464,970
Total Violent Rate	57	23	13	25	21	73	31	218
Burglaries Rate	13	35	12	29	17	103	209	464,970
Larcenies Rate	278	114	70	143	74	617	1,049	484,710
Automobiles Rate	282	76	74	123	90	440	154	227
Total Property Rate	57	187	91	183	109	761	1,388	1,026,280
Total Crime Rate	58	124	96	157	132	542	203	482
	278	1,226	418	755	386	1,493	4,556	3,252,100
	282	816	440	649	468	1,064	667	1,526
	762	3,141	1,301	1,954	863	3,554	11,575	5,977,700
	773	2,090	1,368	1,679	1,047	2,533	1,695	2,805
	93	341	124	117	109	363	1,147	1,000,500
	94	227	130	101	132	259	168	469
	1,137	4,708	1,843	2,826	1,358	5,410	17,282	10,230,300
	1,153	3,133	1,938	2,428	1,648	3,856	2,530	4,800
	1,194	4,895	1,934	3,009	1,467	6,171	18,670	11,256,600
	1,211	3,257	2,034	2,585	1,780	4,399	2,734	5,282

Note. Data derived from, "Crime by County 1975", FBI computer printout of June, 1976 and Table 2, Crime in the United States, 1975. Crime rates are the number of crimes per 100,000 population.

<sup>a</sup>All offenses reported by the South Dakota Highway Patrol have been excluded.

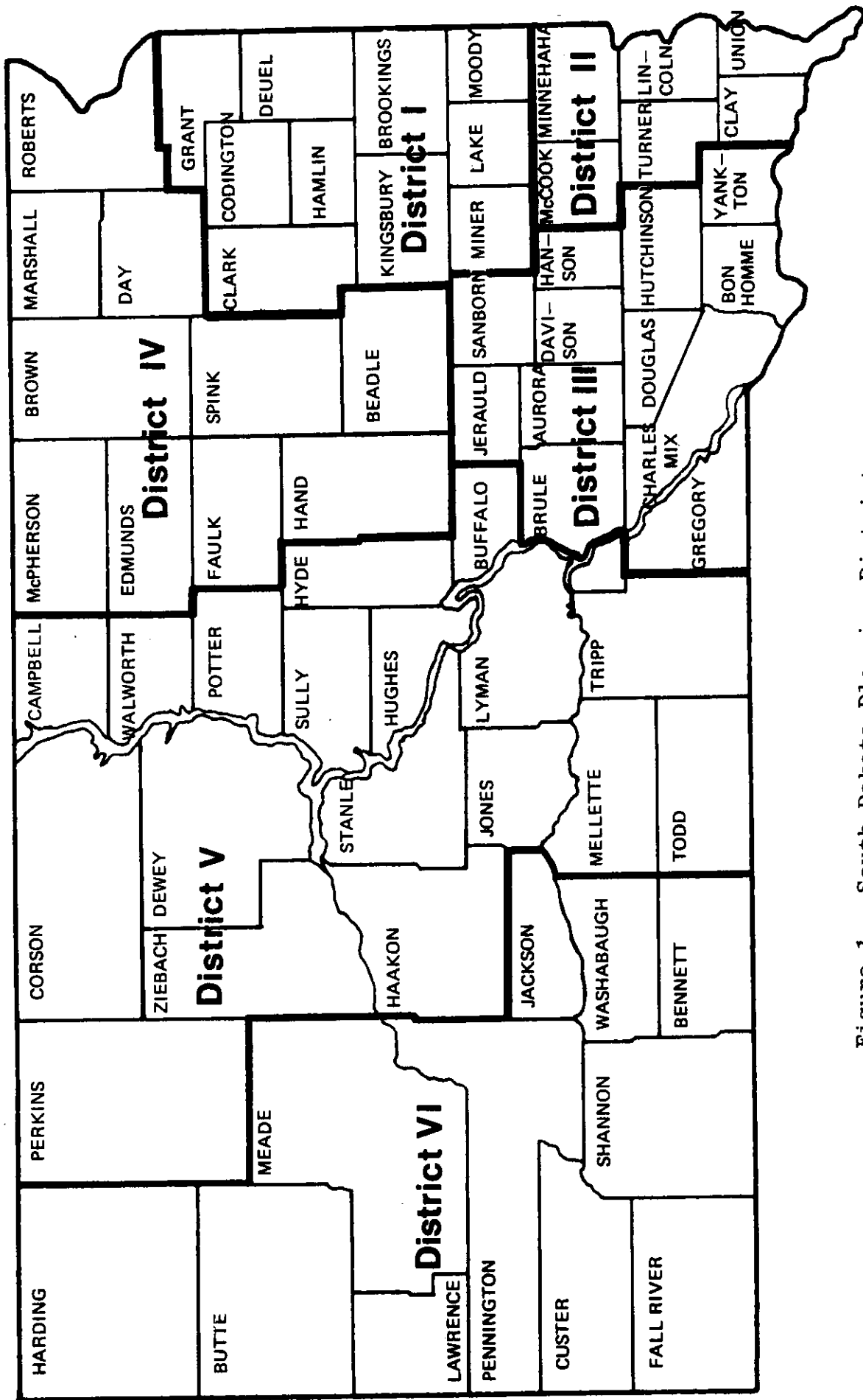


Figure 1. South Dakota Planning Districts

District VI has by far the highest crime rate of any Blanning District in the state. Each of the seven Part I crimes occurs at a higher rate in District VI than in the state as a whole. District VI with less than 21% of the state's population accounted for about one half of all the murders, robberies and assaults that occurred in South Dakota during 1975. Although this district encompasses a large geographic area, most of the population and the associated high crime rate is centered around Rapid City.

Planning District IV has a rate of criminal activity that closely resembles the state average. Planning Districts I, III and V all have total crime rates below the state average and, with the exception of murder and rape in District V, crime rates lower than the state average for each of the seven Part I offenses.

#### High Crime Areas

If the jurisdictions of law enforcement agencies submitting less than three monthly UCR reports are excluded, there exist nine geographic areas in South Dakota with a total crime rate above 3,000 in 1975. These nine areas together with Minnehaha County, the county with the largest population in the state, are considered high crime areas. The 10 areas include eight cities and two counties. Data for Sioux Falls and Rapid City have been omitted from the Minnehaha and Pennington County analyses.

Table 8 presents crime data for the 10 geographic areas in South Dakota with high crime rates along with data on urban, rural and state crime rates. The table contains projections for the years 1976 to 1978 based on a straight line approximation of the 1973 to 1975 data. The projected crime rates should be

Table 8

Annual Crime Rates<sup>a</sup>, Percentage Change,<sup>b</sup>  
and a Three Year Projection<sup>c</sup> for Part I Crimes

Crime by Area	Crime Rates			Percentage Change		Projection Rates		
	1973	1974	1975	74 to 75	73 to 75	1976	1977	1978
<b>HOMICIDE</b>								
Aberdeen	0.0	0.0	0.0	0.0	0.0	0.0	0.0	0.0
Mitchell	0.0	0.0	0.0	0.0	0.0	0.0	0.0	0.0
Pierre	0.0	0.0	0.0	0.0	0.0	0.0	0.0	0.0
Rapid City	4.3	2.1	12.4	490.5	188.4	14.4	18.4	22.5
Sioux Falls	7.7	1.3	2.7	107.7	-64.9	0.0	0.0	0.0
Spearfish	0.0	0.0	0.0	0.0	0.0	0.0	0.0	0.0
Sturgis	0.0	0.0	0.0	0.0	0.0	0.0	0.0	0.0
Yankton	7.6	0.0	0.0	0.0	-100.0	0.0	0.0	0.0
Minnehaha Co. <sup>d</sup>	4.8	0.0	0.0	0.0	-100.0	0.0	0.0	0.0
Pennington Co. <sup>e</sup>	6.0	0.0	23.2	f	286.6	26.9	35.4	44.0
Urban Total	3.5	.9	4.3	377.8	22.8	3.7	4.1	4.5
Rural Total	4.1	3.0	3.0	0.0	-26.8	2.3	1.7	1.2
State Total	3.8	2.1	3.7	76.2	-2.6	3.1	3.0	3.0
<b>RAPE</b>								
Aberdeen	7	11	11	0.0	57.1	14	16	18
Mitchell	15	0	14	f	-6.6	9	8	8
Pierre	20	19	59	210.5	195.0	72	91	111
Rapid City	26	17	35	105.9	34.6	35	39	44
Sioux Falls	15	17	31	82.4	106.6	37	45	53
Spearfish	100	38	0	-100.0	-100.0	0	0	0
Sturgis	0	0	0	0.0	0.0	0	0	0
Yankton	8	8	0	-100.0	-100.0	0	0	0
Minnehaha Co. <sup>d</sup>	24	10	8	-20.0	-66.6	0	0	0
Pennington Co. <sup>e</sup>	18	54	35	-35.2	94.4	53	61	70
Urban Total	16	11	19	72.7	18.8	18	20	21
Rural Total	10	10	14	40.0	40.0	15	17	19
State Total	12	11	16	45.4	33.3	17	19	21
<b>ROBBERY</b>								
Aberdeen	26	7	44	528.6	69.2	44	53	62
Mitchell	0	7	0	-100.0	0.0	2	2	2
Pierre	10	0	20	f	100.0	20	25	30
Rapid City	123	96	149	55.2	21.1	149	162	175
Sioux Falls	26	31	35	12.9	34.6	40	44	49
Spearfish	80	38	0	-100.0	-100.0	0	0	0
Sturgis	20	19	57	200.0	185.0	69	87	106
Yankton	8	15	0	-100.0	-100.0	0	0	0
Minnehaha Co. <sup>d</sup>	5	24	4	-83.3	-20.0	10	10	9
Pennington Co. <sup>e</sup>	151	48	81	68.8	-46.4	23	0	0
Urban Total	34	33	44	33.3	29.4	47	52	57
Rural Total	17	9	19	111.1	11.8	17	18	19
State Total	25	20	31	55.0	24.0	31	34	37

See footnotes at end of table.

Table 8

Crime by Area	Crime Rates			Percentage Change		Projection Rates		
	1973	1974	1975	74 to 75	73 to 75	1976	1977	1978
<b>LARCENY</b>								
Aberdeen	3,689	3,552	3,522	- .8	-4.5	3,421	3,337	3,254
Mitchell	2,325	2,543	2,410	-5.2	3.6	2,511	2,554	2,596
Pierre	3,258	2,689	3,043	13.2	-6.6	2,782	2,674	2,567
Rapid City	6,047	5,340	5,325	- .3	-11.9	4,849	4,488	4,127
Sioux Falls	3,523	3,225	3,360	4.2	-4.6	3,206	3,125	3,043
Spearfish	2,220	1,189	1,389	16.8	-37.4	768	353	0
Sturgis	538	872	2,930	236.0	444.6	3,839	5,035	6,231
Yankton	4,136	4,067	4,479	10.1	8.3	4,570	4,842	4,913
Minnehaha Co. <sup>d</sup>	1,327	816	827	1.3	-37.7	490	240	0
Pennington Co. <sup>e</sup>	3,633	3,134	2,431	-22.4	-33.1	1,864	1,263	662
Urban Total	3,295	2,890	2,932	1.4	-11.0	2,676	2,494	2,313
Rural Total	1,008	707	598	-15.4	-40.7	361	156	0
State Total	2,070	1,736	1,698	-2.2	-18.0	1,463	1,277	1,091
<b>AUTO THEFT</b>								
Aberdeen	117	128	103	-19.5	-11.9	102	95	88
Mitchell	139	210	144	-31.4	3.6	169	172	174
Pierre	120	226	297	31.4	147.5	391	479	568
Rapid City	532	380	397	4.5	-25.4	301	233	166
Sioux Falls	197	257	345	34.2	75.1	413	488	562
Spearfish	240	245	325	32.6	35.4	355	397	440
Sturgis	139	252	246	-2.4	77.0	319	372	426
Yankton	348	324	310	-4.3	-10.9	289	270	250
Minnehaha Co. <sup>d</sup>	90	77	108	40.2	20.0	110	119	128
Pennington Co. <sup>e</sup>	654	581	446	-23.2	-31.8	352	248	144
Urban Total	215	218	241	10.6	12.1	251	264	277
Rural Total	83	103	102	-1.0	22.9	115	124	134
State Total	144	158	168	6.3	16.7	181	193	205
<b>TOTAL PROPERTY</b>								
Aberdeen	4,290	4,418	4,703	6.4	9.6	4,877	5,052	5,226
Mitchell	3,152	3,166	3,175	.3	.7	3,187	3,199	3,210
Pierre	4,124	3,695	4,302	16.4	4.3	4,218	4,307	4,396
Rapid City	8,012	7,170	7,407	3.3	-7.5	6,925	6,622	6,319
Sioux Falls	4,208	4,269	4,761	11.5	13.1	4,966	5,242	5,519
Spearfish	3,280	2,472	4,076	64.9	24.3	4,072	4,470	4,868
Sturgis	1,374	2,073	3,383	63.2	146.2	4,286	5,290	6,295
Yankton	5,220	5,078	5,351	5.4	2.5	5,347	5,413	5,478
Minnehaha Co. <sup>d</sup>	1,974	1,453	1,576	8.5	-20.2	1,270	1,071	872
Pennington Co. <sup>e</sup>	5,479	5,119	4,434	-13.4	-19.1	3,966	3,443	2,921
Urban Total	4,166	3,897	4,119	5.7	-1.1	4,014	3,990	3,967
Rural Total	1,453	1,235	1,119	-9.4	-22.9	935	768	601
State Total	2,712	2,490	2,534	1.8	-6.6	2,401	2,312	2,223

See footnotes at end of table.

Table 8

Crime by Area	Crime Rates			Percentage Change		Projection Rates		
	1973	1974	1975	74 to 75	73 to 75	1976	1977	1978
<b>ASSAULT</b>								
Aberdeen	48	82	180	119.5	275.0	235	301	367
Mitchell	241	225	137	-39.1	-43.2	97	45	0
Pierre	90	19	40	110.5	-55.5	0	0	0
Rapid City	188	594	846	42.4	350.0	1,201	1,530	1,859
Sioux Falls	32	53	67	26.4	109.4	86	103	121
Spearfish	240	453	126	-72.2	-47.5	159	102	45
Sturgis	80	58	0	-100.0	-100.0	0	0	0
Yankton	23	8	25	212.5	8.7	21	22	23
Minnehaha Co. <sup>d</sup>	5	34	116	241.2	2220.0	163	218	274
Pennington Co. <sup>e</sup>	285	508	735	44.7	157.9	959	1,184	1,409
Urban Total	82	210	224	6.7	173.2	314	385	456
Rural Total	89	93	91	-2.2	2.2	93	94	95
State Total	86	148	154	4.0	79.1	197	231	265
<b>TOTAL VIOLENT</b>								
Aberdeen	80	100	236	136.0	195.0	295	373	451
Mitchell	256	232	152	-34.5	-40.6	109	57	5
Pierre	120	38	119	213.2	-.8	91	91	90
Rapid City	342	710	1,043	46.9	205.0	1,399	1,750	2,100
Sioux Falls	81	102	136	33.3	67.9	195	233	271
Spearfish	420	528	126	-76.1	-70.0	64	0	0
Sturgis	100	77	57	-26.0	-43.0	35	14	0
Yankton	45	30	25	-16.7	-44.4	13	3	0
Minnehaha Co. <sup>d</sup>	38	67	128	91.0	236.8	168	213	258
Pennington Co. <sup>e</sup>	460	611	874	43.0	90.0	1,043	1,212	1,382
Urban Total	135	254	292	15.0	116.3	384	462	541
Rural Total	120	115	128	11.3	6.7	129	133	137
State Total	126	181	205	13.3	62.7	250	289	329
<b>BURGLARY</b>								
Aberdeen	483	738	1,078	46.1	123.2	1,361	1,659	1,956
Mitchell	687	413	620	50.1	-9.7	506	473	439
Pierre	747	780	962	23.3	28.8	1,045	1,152	1,260
Rapid City	1,433	1,449	1,685	16.3	17.6	1,774	1,900	2,026
Sioux Falls	488	786	1,056	34.4	116.4	1,345	1,629	1,913
Spearfish	820	1,038	2,363	127.6	188.2	2,950	3,722	4,493
Sturgis	697	949	208	-78.1	-70.2	129	0	0
Yankton	735	687	562	-18.2	-23.5	488	402	315
Minnehaha Co. <sup>d</sup>	557	561	641	14.3	15.1	670	712	754
Pennington Co. <sup>e</sup>	1,193	1,404	1,557	10.9	30.5	1,749	1,931	2,113
Urban Total	699	790	947	19.9	35.5	1,060	1,184	1,308
Rural Total	325	425	419	-1.4	28.9	484	531	578
State Total	498	597	668	11.9	34.1	758	843	928

See footnotes at end of table.

Table 8

Crime by Area	Crime Rates			Percentage Change		Projection Rates		
	1973	1974	1975	74 to 75	73 to 75	1976	1977	1978
TOTAL CRIME								
Aberdeen	4,370	4,518	4,938	9.3	13.0	5,177	5,461	5,745
Mitchell	3,408	3,398	3,326	-2.1	-2.4	3,395	3,254	3,213
Pierre	4,244	3,733	4,421	18.4	4.2	4,310	4,398	4,487
Rapid City	8,354	7,879	8,450	7.2	1.1	8,324	8,372	8,420
Sioux Falls	4,289	4,371	4,898	12.0	14.2	5,128	5,433	5,737
Spearfish	3,700	3,000	4,203	40.1	13.6	4,137	4,389	4,640
Sturgis	1,474	2,150	3,440	60.0	133.4	4,321	5,304	6,287
Yankton	5,265	5,108	5,376	5.2	2.1	5,361	5,416	5,472
Minnehaha Co. <sup>d</sup>	2,012	1,521	1,705	12.1	-15.3	1,439	1,286	1,132
Pennington Co. <sup>e</sup>	5,939	5,730	5,309	-7.3	-10.6	5,029	4,714	4,399
Urban Total	4,290	4,152	4,411	6.2	2.8	4,405	4,466	4,526
Rural Total	1,580	1,351	1,247	-7.7	-21.1	1,060	893	727
State Total	2,838	2,671	2,739	2.5	-3.5	2,650	2,601	2,551

Note. Data derived from "Crime by County", FBI computer printout of June 1974, August 1975 and June 1976. Towns under 2,500 population considered rural.

<sup>a</sup>The rate of crimes per 100,000 population.

<sup>b</sup>Percentage of increase or decrease.

<sup>c</sup>Projected rates are based on a least square straight line fit of the 1973 to 1975 crime rates.

<sup>d</sup>Does not include data for Sioux Falls.

<sup>e</sup>Does not include data for Rapid City.

<sup>f</sup>Impossible to determine the percentage change because division by zero is undefined.

interpreted with caution because they are based only on the trend in crime for the last three years. The projections do not reflect the effects of future changes in the criminal justice system or the socio-economic climate of the state which impact on crime rates. The average percentages of increase or decrease per year for the periods 1974 to 1975 and 1973 to 1975 are also contained in the table.

In 1975 Rapid City had the highest crime rate of any city in South Dakota. The total crime rate in Sturgis (133.4% increase) is an excellent example of better record keeping and increased reporting being responsible for an exaggerated increase in crime rate. Mitchell along with Minnehaha and Pennington counties and the other rural areas of the state have experienced a decreasing total crime rate. On the average, the state total crime rate decreased 3.5% between 1973 and 1975. This fact leads to the optimistic prediction that the state total crime rate will continue to decrease through 1978.

Violent crimes in general are increasing at the fastest rate in Minnehaha County, with Rapid City and Pennington County maintaining the highest total violent crime rates in 1975. Violent crimes have been increasing more rapidly in urban than in rural areas in recent years and therefore it is likely to expect that the higher rate of urban violence will continue. Statewide, the violent crime rate increased by an average of 62.7% between 1973 and 1975.

Only two of the eight cities, Rapid City and Sioux Falls, experienced any homicide in 1975. The homicide rate is not only higher in Rapid City than in Sioux Falls, but, it has also increased



at a faster rate between 1973 and 1975. If the present trend continues, the homicide rate in Rapid City in 1978 will be more than twice the current national average.

The homicide rate in Pennington County was also higher in 1975 than the state and national average. This rate has varied greatly during the past three years making an accurate prediction of future homicide rates in Pennington County difficult. Using projections based on the 1973 and 1975 data, the urban homicide rate is expected to increase and the rural and state rate should decrease through 1978.

Rape rates varied greatly in the state between 1973 and 1975. Of the 10 high crime areas Spearfish had the highest rape rate in 1973 and the second highest in 1974. Surprisingly, no rapes were reported in Spearfish during 1975. The rape rate in Pierre, on the other hand, increased more than 200% between 1974 and 1975. Urban, rural, and state rape rates also increased from 1973 to 1975.

Although robbery rates also fluctuated widely between 1973 and 1975, Rapid City always maintained the highest rate of any city in the state. Other areas in Pennington County also experienced high rates of robbery, especially during 1973. If the present trend continues, robbery rates will increase gradually in South Dakota through 1978.

Rapid City and Pennington County also had the highest 1975 rates of assault in the ten high crime areas. These two areas had rates more than three times the national assault rate in 1975.

It would be incredible if they maintained the same rapid rate of growth through 1978. The Minnehaha county assault rate was the fastest growing in the state between 1973 and 1975, however, the assault rate was still lower in this county than in the state as a whole. Based upon data for the last three years, the assault rate in the state, especially in urban areas, can be expected to increase for the next three years.

In 1975 Rapid City led the state in total property crime rates even though Sturgis has recently had the highest rate of growth per year (146.2% increase between 1973 and 1975) in property crimes. Property crime rates in South Dakota have decreased 6.6% between 1973 and 1975 in spite of a small increase from 1974 to 1975.

During 1975 a person living in Spearfish was more likely to have their residence burglarized than was someone who lived in any other high crime area in the state. The higher than average burglary rate in Spearfish in 1973 grew 188.2% by 1975. Other cities that experienced an increase in burglary rates between 1973 and 1975 include Aberdeen (123.2%) and Sioux Falls (116.4%). During the three year period burglary rates increased 34.1% in the state with a somewhat faster increase in urban than rural areas.

In the last three years the cities of Rapid City, Yankton and Aberdeen have maintained the highest larceny rates in the state. Sturgis in 1973 had a larceny rate well below the state average, however, after an apparent 444.6% increase in two years.

Sturgis had one of the highest larceny rates in the state. Yankton and Mitchell experienced small increases in larceny rates between 1973 and 1975. These three cities were the only high crime areas to experience an increase in larceny rates during the three year period. In fact, the state trend between 1973 and 1975 was an 18.0% decrease in larceny rates.

The highest rates of automobile theft in 1975 are found in the Rapid City-Pennington County area in spite of the fact that there has been an overall decrease in automobile theft rates in this region between 1973 and 1975. The automobile theft rate has been increasing faster in Pierre than in any other South Dakota city. If present trends continue Pierre will have the highest automobile theft rate in the state by 1978. The automobile theft rate increased faster in rural than urban areas while the trend statewide was a 16.7% increase between 1973 and 1975.

Changes in crime rates of infrequent crimes can be sometimes misleading. For example, an increase in one or two homicides can often mean a 100% or 200% increase in the homicide rate of a jurisdiction with a low population. Similarly, a decrease of one rape may mean a 100% decrease in the rape rate. The number of crimes committed and the population of the jurisdiction should be considered when drawing conclusions in these circumstances. The estimated number and type of crimes committed in each of the 10 high crime areas during 1975 is presented in Table 9.

Comparative Analysis. A comparative analysis of crimes in South Dakota's 10 high crime areas is presented in Table 10.

Table 9

The Estimated Number of UCR Part I Offenses occurring  
in South Dakota during 1973, 1974 and 1975

Crime by Area	NUMBER OF CRIMES <sup>a</sup>		
	1973	1974	1975
<b>HOMICIDE</b>			
Aberdeen	0	0	0
Mitchell	0	0	0
Pierre	0	0	0
Rapid City	2	1	6
Sioux Falls	6	1	2
Spearfish	0	0	0
Sturgis	0	0	0
Yankton	1	0	0
Minnehaha Co. <sup>b</sup>	1	0	0
Pennington Co. <sup>c</sup>	1	0	4
Urban	9	3	13
Rural	11	6	6
State	20	9	19
<b>RAPE</b>			
Aberdeen	2	3	3
Mitchell	2	0	2
Pierre	2	2	6
Rapid City	12	8	17
Sioux Falls	12	13	23
Spearfish	5	2	0
Sturgis	0	0	0
Yankton	1	1	0
Minnehaha Co. <sup>b</sup>	5	2	2
Pennington Co. <sup>c</sup>	3	9	6
Urban	44	32	57
Rural	41	38	54
State	85	70	111
<b>ROBBERY</b>			
Aberdeen	7	2	12
Mitchell	0	1	0
Pierre	1	0	2
Rapid City	57	45	72
Sioux Falls	20	24	26
Spearfish	4	2	0
Sturgis	1	1	3
Yankton	1	2	0
Minnehaha Co. <sup>b</sup>	1	5	1
Pennington Co. <sup>c</sup>	25	8	14
Urban	108	101	141
Rural	62	37	68
State	170	138	209

See footnotes at end of Table

Table 9

Crime by Area	NUMBER OF CRIMES <sup>a</sup>		
	1973	1974	1975
<b>ASSAULT</b>			
Aberdeen	13	23	49
Mitchell	33	31	19
Pierre	9	2	4
Rapid City	87	278	409
Sioux Falls	25	41	50
Spearfish	12	24	7
Sturgis	4	3	0
Yankton	3	1	3
Minnehaha Co. <sup>b</sup>	1	7	28
Pennington Co. <sup>c</sup>	47	84	127
Urban	258	666	693
Rural	329	342	356
State	587	1,008	1,049
<b>TOTAL VIOLENT</b>			
Aberdeen	22	28	64
Mitchell	35	32	21
Pierre	12	4	12
Rapid City	158	332	504
Sioux Falls	63	79	101
Spearfish	21	28	7
Sturgis	5	4	3
Yankton	6	4	3
Minnehaha Co. <sup>b</sup>	8	14	31
Pennington Co. <sup>c</sup>	76	101	151
Urban	419	802	904
Rural	443	423	484
State	862	1,225	1,388
<b>BURGLARY</b>			
Aberdeen	132	207	293
Mitchell	94	57	86
Pierre	75	83	97
Rapid City	662	678	814
Sioux Falls	378	608	783
Spearfish	41	55	131
Sturgis	35	49	11
Yankton	97	91	67
Minnehaha Co. <sup>b</sup>	117	117	155
Pennington Co. <sup>c</sup>	197	232	269
Urban	2,106	2,420	2,890
Rural	1,306	1,652	1,670
State	3,412	4,072	4,560

See footnotes at end of Table

Table 9

Crime by Area	NUMBER OF CRIMES <sup>a</sup>		
	1973	1974	1975
<b>LARCENY</b>			
Aberdeen	1008	997	957
Mitchell	318	351	334
Pierre	327	286	307
Rapid City	2,794	2,498	2,573
Sioux Falls	2,730	2,493	2,490
Spearfish	111	63	77
Sturgis	27	45	155
Yankton	546	539	534
Minnehaha Co. <sup>b</sup>	279	170	200
Pennington Co. <sup>c</sup>	600	518	420
Urban	10,478	9,117	9,220
Rural	3,701	2,719	2,374
State	14,179	11,836	11,594
<b>AUTOMOBILE</b>			
Aberdeen	32	36	28
Mitchell	19	29	20
Pierre	12	24	30
Rapid City	246	178	192
Sioux Falls	153	199	256
Spearfish	12	13	18
Sturgis	7	13	13
Yankton	46	43	37
Minnehaha Co. <sup>b</sup>	19	16	26
Pennington Co. <sup>c</sup>	108	96	77
Urban	664	685	749
Rural	324	389	401
State	988	1,074	1,150
<b>TOTAL PROPERTY</b>			
Aberdeen	1,172	1,240	1,278
Mitchell	431	437	440
Pierre	414	393	434
Rapid City	3,702	3,354	3,579
Sioux Falls	3,261	3,300	3,529
Spearfish	164	131	226
Sturgis	69	107	179
Yankton	689	673	638
Minnehaha Co. <sup>b</sup>	415	303	381
Pennington Co. <sup>c</sup>	905	846	766
Urban	13,248	12,222	12,859
Rural	5,331	4,760	4,445
State	18,579	16,982	17,304

See footnotes at end of Table

Table 9

Crime by Area	NUMBER OF CRIMES <sup>a</sup>		
	1973	1974	1975
TOTAL CRIME			
Aberdeen	1,194	1,268	1,342
Mitchell	466	469	461
Pierre	426	397	446
Rapid City	3,860	3,686	4,083
Sioux Falls	3,324	3,379	3,630
Spearfish	185	159	233
Sturgis	74	111	182
Yankton	695	677	641
Minnehaha Co. <sup>b</sup>	423	317	412
Pennington Co. <sup>c</sup>	981	947	917
Urban	13,667	13,024	13,763
Rural	5,774	5,183	4,929
State	19,441	18,207	18,692

Note. Data derived from "Crime by County", FBI computer printout of June 1974, August 1975 and June 1976. For this table urban areas are all cities and towns above approximately 2,500 in population. All other areas are considered rural.

<sup>a</sup>Number of crimes is a simple count of crimes that occurred in each jurisdiction.

<sup>b</sup>Does not include data for Sioux Falls.

<sup>c</sup>Does not include data for Rapid City.

Table 10

High Crime Areas in South Dakota Ranked by Crime Rate,  
Incidence and Growth Rate for Part I Offenses

Crime by Area	Rank <sup>a</sup>		
	Crime Rate <sup>b</sup>	Incidence <sup>c</sup>	Growth Rate <sup>d</sup>
<b>HOMICIDE</b>			
Pennington County <sup>e</sup>	1	2	1
Rapid City	2	1	2
Sioux Falls	3	3	-
Minnehaha County <sup>f</sup>	-	-	-
Aberdeen	-	-	-
Pierre	-	-	-
Yankton	-	-	-
Mitchell	-	-	-
Spearfish	-	-	-
Sturgis	-	-	-
<b>RAPE</b>			
Pierre	1	3.5 <sup>g</sup>	1
Rapid City	2.5 <sup>g</sup>	2	5
Pennington County <sup>e</sup>	2.5 <sup>g</sup>	3.5 <sup>g</sup>	3
Sioux Falls	4	1	2
Mitchell	5	6.5 <sup>g</sup>	-
Aberdeen	6	5	4
Minnehaha County <sup>f</sup>	7	6.5 <sup>g</sup>	-
Yankton	-	-	-
Spearfish	-	-	-
Sturgis	-	-	-
<b>ROBBERY</b>			
Rapid City	1	1	5
Pennington County <sup>e</sup>	2	3	-
Sturgis	3	5	1
Aberdeen	4	4	3
Sioux Falls	5	2	4
Pierre	6	6	2
Minnehaha County <sup>f</sup>	7	7	-
Mitchell	-	-	-
Yankton	-	-	-
Spearfish	-	-	-
<b>ASSAULT</b>			
Rapid City	1	1	2
Pennington County <sup>e</sup>	2	2	4
Aberdeen	3	4	3
Mitchell	4	6	-
Spearfish	5	7	-
Minnehaha County <sup>f</sup>	6	5	1
Sioux Falls	7	3	5
Pierre	8	8	-
Yankton	9	9	6
Sturgis	-	-	-

See footnotes at end of Table



Table 10

Crime by Area	Rank <sup>a</sup>		
	Crime Rate <sup>b</sup>	Incidence <sup>c</sup>	Growth Rate <sup>d</sup>
<b>TOTAL VIOLENT</b>			
Rapid City	1	1	2
Pennington County <sup>e</sup>	2	2	4
Aberdeen	3	4	3
Mitchell	4	6	-
Sioux Falls	5	3	5
Minnehaha County <sup>f</sup>	6	5	1
Spearfish	7	8	-
Pierre	8	7	-
Sturgis	9	9.5 <sup>g</sup>	-
Yankton	10	9.5 <sup>g</sup>	-
<b>BURGLARY</b>			
Spearfish	1	6	1
Rapid City	2	1	6
Pennington County <sup>e</sup>	3	4	4
Aberdeen	4	3	2
Sioux Falls	5	2	3
Pierre	6	7	5
Minnehaha County <sup>f</sup>	7	5	7
Mitchell	8	8	-
Yankton	9	9	-
Sturgis	10	10	-
<b>LARCENY</b>			
Rapid City	1	1	-
Yankton	2	4	2
Aberdeen	3	3	-
Sioux Falls	4	2	-
Pierre	5	7	-
Sturgis	6	9	1
Pennington County <sup>e</sup>	7	5	-
Mitchell	8	6	3
Spearfish	9	10	-
Minnehaha County <sup>f</sup>	10	8	-
<b>AUTOMOBILE</b>			
Pennington County <sup>e</sup>	1	3	-
Rapid City	2	2	-
Sioux Falls	3	1	3
Spearfish	4	9	4
Yankton	5	4	-
Pierre	6	5	1
Sturgis	7	10	2
Mitchell	8	8	6
Minnehaha County <sup>f</sup>	9	7	5
Aberdeen	10	6	-

See footnotes at end of Table

Table 10

Crime by Area	Rank <sup>a</sup>		
	Crime Rate <sup>b</sup>	Incidence <sup>c</sup>	Growth Rate <sup>d</sup>
TOTAL PROPERTY			
Rapid City	1	1	-
Yankton	2	5	6
Sioux Falls	3	2	3
Aberdeen	4	3	4
Pennington County <sup>e</sup>	5	4	-
Pierre	6	7	5
Spearfish	7	9	2
Sturgis	8	10	1
Mitchell	9	6	7
Minnehaha County <sup>f</sup>	10	8	-
TOTAL CRIME			
Rapid City	1	1	7
Yankton	2	5	6
Pennington County <sup>e</sup>	3	4	-
Aberdeen	4	3	4
Sioux Falls	5	2	2
Pierre	6	7	5
Spearfish	7	9	3
Sturgis	8	10	1
Mitchell	9	6	-
Minnehaha County <sup>f</sup>	10	8	-

Note. Data derived from "Crime by County 1975", FBI computer printout of June, 1976. Data for agencies that filed less than three monthly returns was excluded.

<sup>a</sup>Ranks were assigned from the highest to the lowest values with the exception that zero's were not ranked.

<sup>b</sup>The number of crimes per 100,000 population.

<sup>c</sup>A simple count of 1975 crimes.

<sup>d</sup>Based on the annual percentage of increase in the crime rate between 1973 and 1975. No area with a decreasing crime rate or, a zero crime rate in 1973 was ranked.

<sup>e</sup>Does not include data for Rapid City.

<sup>f</sup>Does not include data for Sioux Falls.

<sup>g</sup>Areas with tied/ranks have the same numerical values. e.g. Rapid City and Pennington County both had a rape rate of 35 per 100,000 population in 1975. Since they were tied for the second and third rank they were both assigned a value of 2.5.

Each area is ranked according to 1975 crime rate, number of crimes committed in 1975 and, the 1973 to 1975 rate of growth for each crime.

Rapid City, Yankton and Pennington County had the highest crime rates in South Dakota in 1975. However, between 1973 and 1975 the total crime rate increased most rapidly in the cities of Sturgis and Sioux Falls. More crimes took place in the three largest cities in the state - Rapid City, Sioux Falls, and Aberdeen - than in any other high crime area. Rapid City, a city less than 2/3 the size of Sioux Falls, experienced a larger number of crimes than Sioux Falls. It is obvious that the Rapid City-Pennington County area has a definite crime problem even though crime in this area has not been increasing rapidly in recent years. The total crime rate decreased in Pennington County, Mitchell and Minnehaha County between 1973 and 1975 but apparently increased most dramatically in Sturgis.

Rapid City and Pennington County lead the state in violent crime rates and in the number of violent crimes. Aberdeen ranks third in violent crime rate and fourth in the number of violent crimes. The third largest number of violent crimes occurred in Sioux Falls, the state's largest city. Between 1973 and 1975 violent crime rates grew most rapidly in Minnehaha County, Rapid City and Aberdeen.

Homicide occurred in only 3 of the ten high crime areas in 1975; Pennington County, Rapid City and Sioux Falls. Rapid City experienced the largest number of homicides and the second

fastest rate of growth, however, Pennington County had the highest homicide rate and the fastest growth rate.

Although more rapes occurred in Sioux Falls and Rapid City than in Pierre in 1975, Pierre had the highest rape rate and the fastest increase in rape rate between 1973 and 1975. Rapid City and Pennington County were tied for the second highest rape rate in high crime areas while Sioux Falls and Pennington County experienced the second and third highest rates of growth in rape rate respectively.

Rapid City, Pennington County and Sturgis lead the state in robbery rates while Rapid City, Sioux Falls and Pennington County had the largest number of robberies in the state. Aberdeen had the fourth highest robbery rate and encountered the third largest growth rate in robbery in the state. The robbery rate also apparently increased rapidly in Sturgis and Pierre.

In 1975 Rapid City and Pennington County ranked first and second respectively in assault rates and in the number of assaults. The assault rate grew fastest in Minnehaha County followed by Rapid City and Aberdeen. Aberdeen also ranks third in assault rate and fourth in the number of assaults. Sioux Falls experienced the third highest number of assaults of any high crime area in the state.

Rapid City, Yankton and Sioux Falls have the highest property crime rates in the state and, not surprisingly, the largest number of property crimes occur in Rapid City and Sioux Falls, followed by Aberdeen. Property crime rates are decreasing in Rapid City,

Pennington County and Minnehaha County, but, they are increasing most rapidly in Sturgis, Spearfish and Sioux Falls.

Spearfish ranks sixth in the number of burglaries occurring in high crime areas, but, it ranks first in the burglary rate and growth in burglary rate. More burglaries occurred in Rapid City than in any other high crime area in the state, giving Rapid City the second highest burglary rate. Pennington County experienced the third highest rate of burglary. Aberdeen and Sioux Falls ranked second and third in burglary growth rate and third and second respectively in the number of burglaries.

The most common crime, larceny, occurred more often and at a higher rate in Rapid City than in any other high crime area. Yankton ranked second in larceny rate and in the rate of increase of larcenies. Aberdeen ranked third in both larceny rate and number of larcenies. Only three of the 10 high crime areas; Sturgis, Yankton and Mitchell had larceny rates that increased between 1973 and 1975.

Pennington County, Rapid City and Sioux Falls encountered the highest automobile theft rates in the state. These same three areas also had the largest number of automobile thefts, however, the rank order for number of thefts is the reverse of the order for rates. Automobile theft rates are growing fastest in the cities in Pierre, Sturgis and Sioux Falls.

#### Fingerprint Records

The South Dakota Division of Criminal Investigation (DCI) receives fingerprint records of arrested persons from law enforcement

agencies in the state. These records do not provide a complete list of all arrests made in the state because many law enforcement agencies do not submit fingerprint cards or submit them on an irregular basis. Thus, it is difficult to use fingerprint records as a measure of the number of arrests.

At least one straightforward conclusion can be drawn from fingerprint card records. Law Enforcement agencies did not fingerprint every person that they arrested in 1975. Only 6,752 persons were fingerprinted in the state while 12,470 criminal cases were possessed by the courts.

Comparison between crime and fingerprint records. While no straightforward conclusions can be drawn from a comparison of crime data and fingerprint records, it is useful to analyze these measures on a superficial level.

Table 11 contains population, crime and fingerprint data for each South Dakota county. Since fingerprint records are submitted by police departments and sheriff offices, these two sources have been combined to produce one total for each county. A total of 5,000 Part I crimes occurred in Pennington County in 1975 while 771 persons were fingerprinted during the same period. Law enforcement agencies in Minnehaha County fingerprinted 1,294 persons and reported 4,042 Part I crimes. The only other county in which more than 1,000 crimes were reported - Brown - submitted only 14 fingerprint records. Many counties had a higher total of persons fingerprinted than the number of Part I crime that occurred. This is possible due to 1) Persons being fingerprinted for other than Part I crimes; 2) More than one person taking part

Table 11

Population, Crime and Persons Fingerprinted  
in South Dakota Counties

County	County Population	UCR Part I		Persons Fingerprinted
		Total Crimes	Crime Rate	
Aurora	4,099	12 <sup>a</sup>	293 <sup>a</sup>	9
Beadle	21,000	772 <sup>c</sup>	3,676 <sup>c</sup>	159
Bennett	3,400	35	1,029	72
Bon Homme	7,899	98 <sup>b</sup>	1,241 <sup>b</sup>	28
Brookings	22,597	297	1,314	214
Brown	38,495	1,365	3,546	14
Brule	5,799	155 <sup>b</sup>	2,673 <sup>b</sup>	40
Buffalo	1,800	2 <sup>a</sup>	111 <sup>a</sup>	0
Butte	8,399	100 <sup>b</sup>	1,191 <sup>b</sup>	100
Campbell	2,600	32 <sup>b</sup>	1,231 <sup>b</sup>	0
Charles Mix	10,399	130 <sup>b</sup>	1,250 <sup>b</sup>	238
Clark	5,599	38 <sup>a</sup>	679 <sup>a</sup>	3
Clay	12,598	264 <sup>c</sup>	2,096 <sup>c</sup>	0
Codington	19,597	379	1,934	445
Corson	5,099	15 <sup>a</sup>	294 <sup>a</sup>	3
Custer	5,044	63 <sup>b</sup>	1,236 <sup>b</sup>	85
Davison	17,897	512 <sup>c</sup>	2,861 <sup>c</sup>	281
Day	8,899	170 <sup>a</sup>	1,910 <sup>a</sup>	24
Deuel	5,699	71 <sup>b</sup>	1,246 <sup>b</sup>	18
Dewey	5,894	73 <sup>b</sup>	1,238 <sup>b</sup>	13
Douglas	4,399	55 <sup>b</sup>	1,250 <sup>b</sup>	4
Edmunds	5,599	69 <sup>b</sup>	1,232 <sup>b</sup>	113
Fall River/Shannon	17,598	138	784	208
Faulk	3,799	74	1,948	50
Grant	9,287	44 <sup>b</sup>	474	66
Gregory	6,399	80 <sup>b</sup>	1,250 <sup>b</sup>	56
Haakon	2,700	8	296	8
Hamlin	5,599	31	554	12
Hand	5,599	69 <sup>b</sup>	1,232 <sup>b</sup>	9
Hanson	3,699	22	595	8
Harding	1,700	2 <sup>a</sup>	118	1
Hughes	12,998	494 <sup>c</sup>	3,801 <sup>c</sup>	232
Hutchinson	9,899	11 <sup>a</sup>	111 <sup>a</sup>	6
Hyde	2,600	32 <sup>b</sup>	1,231 <sup>b</sup>	0
Jackson/Washabaugh	3,100	19 <sup>a</sup>	613	25
Jerauld	3,200	39 <sup>b</sup>	1,219 <sup>b</sup>	27
Jones	1,900	23 <sup>b</sup>	1,210 <sup>b</sup>	37
Kingsbury	7,399	56	757	17
Lake	10,898	61	560	94
Lawrence	17,598	477 <sup>b</sup>	2,710 <sup>b</sup>	496
Lincoln	12,298	153 <sup>b</sup>	1,244 <sup>b</sup>	42
Lyman	3,999	51 <sup>b</sup>	1,275 <sup>b</sup>	0
McCook	6,999	86 <sup>b</sup>	1,229 <sup>b</sup>	43
McPherson	4,799	60 <sup>b</sup>	1,250 <sup>b</sup>	0
Marshall	5,499	23 <sup>a</sup>	418 <sup>a</sup>	27
Meade	17,798	337 <sup>b</sup>	1,894	39
Mellette	2,300	19	826	6
Miner	4,199	53 <sup>b</sup>	1,262	6
Minnehaha	98,288	4,042	4,112	1,294
Moody	7,699	164 <sup>b</sup>	2,130	25
Pennington	65,591	5,000	7,623	771
Perkins	4,499	37	822	41
Potter	4,394	55 <sup>b</sup>	1,250 <sup>b</sup>	19
Roberts	12,098	178 <sup>b</sup>	1,471	10
Sanborn	3,400	41 <sup>b</sup>	1,206	1
Spink	10,594	229 <sup>b</sup>	2,161	34
Stanley	3,000	114	3,800	11
Sully	2,300	23	1,000	1
Tripp/Todd	15,798	198 <sup>b</sup>	1,253	27
Turner	9,699	69 <sup>a</sup>	711	11
Union	10,399	281	2,702	76
Walworth	7,900	259 <sup>b</sup>	3,279 <sup>b</sup>	233
Yankton	17,997	779	4,329	110
Ziebach	2,600	32 <sup>b</sup>	1,231	0
STATE	683,000	18,692	2,737	6,024 <sup>d</sup>

Note. Population and crime data obtained from the FBI "Crime by County" computer printout of June, 1976. Fingerprint data obtained from the 1975 Annual Fingerprint Card Report of the South Dakota Division of Criminal Investigation. Crime rates are the number of Part I crimes per 100,000.

<sup>a</sup>Estimate based on 3 to 11 monthly reports.

<sup>b</sup>Estimate based on less than 3 monthly reports.

<sup>c</sup>Estimate based on some combination of full report, partial report and no report of UCR data.

<sup>d</sup>The number of cards submitted by sheriff offices and police departments.

in one crime act; 3) Differences in crime reporting and fingerprinting policies. A total of 18,692 Part I crimes were estimated to have occurred in South Dakota in 1975. For these crimes and a variety of others that are not one of the seven UCR Part I offenses, 6,024 persons were fingerprinted.

Age, sex and race of persons arrested. Table 12 provides a breakdown of the age, sex and race characteristics of persons that were arrested and had their fingerprint records submitted to DCI. Fingerprint records have been broken into the categories of adult and juvenile. While it is clear that adults are persons 18 years of age and over, the lower age limit of a juvenile is somewhat in question. In practice DCI receives virtually no fingerprint reports for persons under the age of 14, therefore, the proportion of each juvenile age and sex category in Table 12 is based on the number of persons 14 to 17 years old as determined by the 1970 census.

While the table provides an accurate description of demographic characteristics obtained from fingerprint reports it does not necessarily reflect the true proportion of crimes committed by persons in each age, sex and race category. Many variables may intervene to produce a distorted picture. For example, in South Dakota blacks make up far less than 1% of the total population. If an eye witness observes a black person committing a crime the number of likely suspects in the police investigation is much less than if a white person committed the crime. As a result, a black person may be more likely to be arrested. In addition, the data reflect arrest characteristics not the characteristics of persons convicted of a crime.



Table 12  
Age, Sex and Race Characteristics of Persons Arrested

Felonies						
	Adult			Juveniles		
	Number of Felonies	Percentage of Felonies	Percentage of Population	Number of Felonies	Percentage of Felonies	Percentage of Population
Male						
White	1,491	71.4	46.9	22	78.6	48.1
Indian	376	18.0	1.8	5	17.9	2.9
Negro	40	1.9	.2	0	0	.1
Female						
White	122	5.8	49.2	1	3.6	45.7
Indian	52	2.5	2.0	0	0	3.1
Negro	7	.3	.1	0	0	.1

Misdemeanors						
	Adult			Juveniles		
	Number of Misdemeanors	Percentage of Misdemeanors	Percentage of Population	Number of Misdemeanors	Percentage of Misdemeanors	Percentage of Population
Male						
White	2,903	71.2	46.9	15	75.0	48.1
Indian	755	18.5	1.8	5	25.0	2.9
Negro	22	.5	.2	0	0	.1
Female						
White	242	5.9	49.2	0	0	45.7
Indian	150	3.7	2.0	0	0	3.1
Negro	5	.1	.1	0	0	.1

Total Crimes						
	Adult			Juveniles		
	Number of Total Crimes	Percentage of Total Crimes	Percentage of Population	Number of Total Crimes	Percentage of Total Crimes	Percentage of Population
Male						
White	4,394	71.3	46.9	37	79.2	48.1
Indian	1,131	18.3	1.8	10	20.8	2.9
Negro	62	1.0	.2	0	0	.1
Female						
White	364	5.9	49.2	1	2.1	45.7
Indian	202	3.3	2.0	0	0	3.1
Negro	12	.2	.1	0	0	.1

Note. Data obtained from the 1975 Annual Fingerprint Card Report, of the South Dakota Division of Criminal Investigation.

Adult males which make 48.9% of the adult population constituted 90.6% of all adult arrests. White, Indian and Negro males each accounted for a larger proportion of arrests than their female counterparts. White females make up 49.2% of the adult population but only 5.9% of adult arrests. More white males were arrested for felonies and misdemeanors in South Dakota during 1975 than any other adult category.

With the exception of one white female, all juveniles arrested were white or Indian males. White males, comprising 48.1% of the juvenile population, accounted for 79.2% of all juvenile fingerprint reports. Juvenile Indian males make up 2.9% of the juvenile population and were fingerprinted in connection with 10 crimes. These 10 crimes composed 20.8% of all juvenile fingerprint reports. Law enforcement authorities exercise considerable discretion in the handling of juvenile cases. This makes meaningful interpretation of juvenile arrest data difficult. A more complete analysis of juvenile data can be found in The Juvenile Offender in South Dakota published by the South Dakota Statistical Analysis Center.

#### Victimization Survey: Preliminary Results

In order to overcome some of the inadequacies of UCR data and to assessing the effect of implementation of the state UCR program on reported crime rates a victimization survey was conducted in South Dakota. The survey, carried out by the Statistical Analysis Center (SAC) in early 1977, was mailed to a sample of 5,059 South Dakota residents over 17 years old. The sample was selected from the population of persons with South Dakota driver's licenses.

The survey measured citizens experiences as victims of crimes and their perceptions of crime and the criminal justice system in the state for 1976. Analysis of the data has not been completed at this time, however, some preliminary results are available. As of April 15, 1977, 3,425 respondents had returned completed surveys. An additional 576 surveys were undeliverable through the mails. Excluding undeliverable surveys, a 76.4% response rate was obtained.

Victimization Rates. The rates of victimization in South Dakota's Planning Districts and the state as a whole are presented in Table 13. It is obvious that the 1976 victimization rates found in Table 13 are almost uniformly much higher than the 1975 UCR crime rates found in Table 7. Even when year to year changes in crime rates are taken into account victimization rates are considerably higher than UCR Part I crime rates.

The major reason for this difference is that many crimes are not reported to law enforcement agencies. Several other factors also contribute to this difference.

One of these factors is the perception of a crime. A person may feel that they have been victimized, however, a law enforcement investigation may indicate that no crime has been committed.

UCR Part I crimes differed somewhat from those measured in the victimization survey. The victimization survey expanded the UCR definition of rape to include all sexual assaults. In addition, a measure of vandalism was added to the victimization survey. These two changes accounted for many victimizations that the UCR Part I program does not attempt to cover. The exclusion of homicide

Table 13

Preliminary Analysis of 1976 Victimization Rates  
in South Dakota's Planning Districts

	Planning District						South Dakota
	1	2	3	4	5	6	
Sexual Assault	0	788	187	0	0	3,770	900
Actual	0	262	187	0	0	820	200
Attempt	0	524	0	0	0	2,951	700
Robbery	378	655	0	496	265	2,623	900
Actual	0	524	0	165	265	2,131	700
Attempt	378	131	0	331	0	492	300
Assault	6,015	3,806	5,037	3,150	3,974	9,720	5,900
Actual	2,064	1,312	1,493	1,493	2,646	2,801	2,200
Attempt	3,940	2,493	3,545	1,658	1,328	6,919	3,800
Total Violent	6,391	5,247	5,224	3,646	4,239	16,113	7,700
Actual	2,064	2,098	1,680	1,658	2,911	5,752	3,100
Attempt	4,316	3,148	3,545	1,989	1,328	10,362	4,800
Burglary	4,131	5,263	4,690	5,137	3,733	12,151	6,900
Actual	2,820	3,553	4,315	4,305	3,457	8,703	4,900
Attempt	1,316	1,711	375	828	267	3,448	2,000
Larceny	12,008	9,461	8,052	9,429	10,372	12,664	11,200
Actual	11,444	8,936	7,303	8,278	10,372	11,330	9,900
Attempt	565	526	749	1,161	0	1,318	1,300
Vehicle Theft	188	786	2,612	496	794	1,315	1,100
Actual	0	262	933	331	529	493	500
Attempt	188	524	1,679	165	265	821	600
Vandalism <sup>a</sup>	8,023	14,436	19,439	13,719	35	16,474	14,900
Total Property	24,350	29,946	34,793	28,781	14,934	42,604	34,100
Actual	22,287	27,187	31,990	26,633	14,393	37,000	30,200
Attempt	2,069	2,761	2,803	2,154	532	5,587	3,900
Total Crimes	30,553	35,193	40,017	32,427	19,173	58,717	42,000
Actual	24,351	29,285	33,670	28,291	17,304	42,752	33,300
Attempt	6,385	5,909	6,348	4,143	1,858	15,949	8,700

Note. Data obtained from a preliminary analysis of the 1976 South Dakota Victimization Survey.

<sup>a</sup>Only actual occurrences of vandalism were assessed in the victimization survey.

from the victimization survey was another difference between the UCR Part I crimes and victimizations assessed by the survey.

For the above reasons no direct comparisons will be made between 1975 UCR Part I crime rates and 1976 victimization rates.

With the exception of vehicle theft and vandalism, Planning District VI had the highest rate of victimization in the state for every crime measured. Planning District III had the highest victimization rates for vehicle theft and vandalism and the second highest Planning District total victimization rate. The victimization rate in Planning District I was the lowest in the state and little more than one half the rate of Planning District VI.

The frequency of occurrence of sexual assault and robbery was too low to be adequately assessed in most Planning Districts. The rates of victimization of other types of crimes, however, should provide reliable measures. In 1976 a citizen of South Dakota was more likely to be a victim of vandalism than any other crime. The number of victims of larceny was second only to the number of victims of vandalism. Assault was the most common violent crime, occurring much more frequently than either sexual assault or robbery.

In the comparison of actual and attempted crimes, property crimes are much more likely to be actually carried out while violent crimes tend to number more attempts than actual occurrences. Attempts at a sexual assault are more than three times as common than are actual sexual assaults. Actual robbery victims, on the other hand are more than twice as numerous as victims of attempted

robbery. Somewhat more attempts than actual vehicle thefts occur, however, actual burglary and larceny victims outnumber victims of attempts. Only actual occurrences of vandalism were assessed in the survey.

The size of the sample used in the victimization survey did not provide a sufficiently large data base to assess victimization rates in all 10 of the UCR high crime areas. Victimization data for the high crime areas with the largest populations are presented in Table 14.

Victim Reporting of Crimes. When a respondent to the survey was a victim of crime or an attempted crime they were asked to indicate whether or not they reported the crime to law enforcement officials. If the same crime occurred more than once to a victim, they were asked to indicate if they reported the most recent incident. This data supplied the information on the percentage of victimizations reported to law enforcement agencies found in Table 15. Few (38%) of the attempts and only 29% of the actual sexual assaults were reported. Sexual assault was the only crime which victims were more likely to report attempts than actual occurrences. Victims reported 67% of actual robberies, however, no attempted robbery victims reported the incident to law enforcement agencies. Assault was the crime least likely to be reported.

#### Crime on South Dakota Indian Reservations

The Bureau of Indian Affairs uses a crime reporting system that is similar to the FBI's Uniform Crime Reports. However, the reporting and auditing of crime data from South Dakota Indian reser-

Table 14

## Victimization Rates in Selected High Crime Areas

	Minnehaha County				Pennington County		
	Aberdeen	Total	Sioux Falls	Other <sup>a</sup>	Total	Rapid City	Other <sup>b</sup>
Sexual Assault	c	1,198	1,442	c	2,749	1,916	10,000
Actual	c	399	481	c	687	766	c
Attempt	c	798	962	c	2,062	1,149	10,000
Robbery	700	998	1,202	c	3,436	3,448	3,333
Actual	c	798	962	c	2,405	2,299	3,333
Attempt	700	200	240	c	1,031	1,149	c
Assault	3,400	3,000	3,373	200	10,690	10,385	13,333
Actual	2,700	1,200	1,205	200	2,414	1,923	6,667
Attempt	700	1,800	2,169	c	8,276	8,462	6,667
Total Violent	4,100	5,196	6,017	200	16,875	15,749	26,666
Actual	2,700	2,397	2,648	200	5,506	4,988	10,000
Attempt	1,400	2,798	3,371	c	11,369	10,760	16,667
Burglary	3,300	8,016	9,157	2,381	14,777	15,709	6,667
Actual	2,600	5,411	6,506	c	9,622	9,961	6,667
Attempt	700	2,605	2,651	2,381	5,155	5,747	c
Larceny	10,000	10,600	12,289	2,353	11,724	11,154	16,667
Actual	9,300	10,200	11,807	2,353	10,000	9,615	13,333
Attempt	700	400	482	c	1,724	1,538	3,333
Vehicle Theft	c	998	1,202	c	1,379	1,532	c
Actual	c	200	240	c	690	766	c
Attempt	c	798	962	c	690	766	c
Vandalism <sup>d</sup>	17,200	14,600	16,867	3,529	17,931	18,846	10,000
Total Property	30,500	34,214	39,515	8,263	45,811	47,241	33,334
Actual	29,100	30,411	35,420	5,882	38,243	39,188	30,000
Attempt	1,400	3,803	4,095	2,381	7,569	8,051	3,333
Total Crime	34,600	39,410	45,532	8,463	62,686	62,988	60,000
Actual	31,800	32,808	38,068	6,082	43,749	44,176	40,000
Attempt	2,800	6,601	7,466	2,381	18,938	18,811	20,000

Note. Data obtained from preliminary analysis of the 1976 South Dakota Victimization Survey. Rates are the number of victimizations per 100,000 population.

<sup>a</sup>Data for Minnehaha County with Sioux Falls excluded.

<sup>b</sup>Data for Pennington County with Rapid City excluded.

<sup>c</sup>No crime was reported in this category.

<sup>d</sup>Only actual occurrences of vandalism were assessed in the victimization survey.

Table 15  
Percentage of Victimization Reported to Law Enforcement Agencies

	Planning District						South Dakota
	1	2	3	4	5	6	
Sexual Assault Actual	a	0	100	a	a	38	33
Attempt	a	0	100	a	a	33	29
Robbery	a	0	a	a	a	50	38
Actual	0	60	a	33	100	56	50
Attempt	a	75	a	100	100	56	67
Assault	0	a	a	0	a	a	0
Actual	20	32	8	20	50	26	24
Attempt	33	43	0	14	33	33	29
Burglary	0	33	11	75	67	22	22
Actual	62	67	50	65	46	62	59
Attempt	80	75	56	67	50	63	65
Larceny	0	25	0	50	33	57	33
Actual	50	52	42	51	54	44	49
Attempt	49	53	42	53	54	44	49
Vehicle Theft	100	0	a	0	a	50	40
Actual	100	67	57	100	100	43	70
Attempt	a	100	100	100	100	33	85
Vandalism	100	50	33	100	100	50	57
	42	42	56	38	51	41	45

Note. Data obtained from a preliminary analysis of the 1976 South Dakota Victimization Survey.

<sup>a</sup>No crimes were reported in this category.



vations is handled differently than crime data from other areas in the state. Since the BIA's follow-up procedure is not as extensive as the one used by the FBI, crime data from Indian reservations contain some numerical inconsistencies. These inconsistencies and the high year-to-year variability in crimes reported suggest that *this data may not be an accurate representation of crime on reservations*. As with all Uniform Crime Report data for South Dakota presented in this report, *interpretations should be made with caution*.

Crime in 1974. In 1974 and 1975, all South Dakota reservations except Flandreau used the BIA crime reporting system. The rate of offenses reported to law enforcement agencies on Indian reservations in 1974 is presented in Table 16. In 1974, South Dakota Indian Reservations experienced an average crime rate of 5,535 offenses per 100,000 population. This was more than twice the South Dakota non-reservation crime rate.

The Lower Brule reservation experienced a total crime rate of 22,080 per 100,000 population. This was the highest crime rate experienced by any area in South Dakota, whether reservation or non-reservation. Pine Ridge and Rosebud had the second and third highest reservation total crime rates.

With total crime rates of 411 and 692 per 100,000 population respectively, Standing Rock and Cheyenne River had the lowest reservation total crime rates. The crime rates for these two reservations are well below the South Dakota non-reservation average.

Lower Brule, Pine Ridge and Rosebud also had the highest violent crime rates of South Dakota reservations. These high

Table 16

Rate of Offenses Known to Agencies on Indian Reservations in South Dakota<sup>a</sup> 1974

Agency	Homicide	Rape	Robbery	Assault	Total Violent	Burglary	Larceny	Auto	Total Property	Total Crimes
Cheyenne River	0	92	0	254	346	46	300	0	346	692
Crow Creek	0	161	0	483	644	322	322	81	724	1,369
Lower Brule	0	142	0	9,402	9,544	2,707	9,829	0	12,536	22,080
Pine Ridge	61	305	9	3,738	4,112	1,028	2,378	915	4,321	8,434
Rosebud	13	146	0	4,418	4,577	849	1,552	106	2,507	7,084
Sisseton	41	123	411	1,602	2,177	1,397	1,150	205	2,753	4,930
Standing Rock	0	103	0	226	329	62	21	0	82	411
Yankton	0	0	0	1,895	1,895	702	140	0	842	2,737
SD Reservations	26	179	32	2,710	2,948	747	1,490	350	2,587	5,535
SD Non-Reservation	2	11	20	148	181	597	1,735	157	2,490	2,671

Note. Reservation data derived from, "Offenses Known to Police" forms obtained from the BIA. Non-reservation data obtained from Table 4, Crime in the United States, 1974. Rate of offenses are the number of crimes per 100,000 population.

<sup>a</sup>Flandreau does not use the BIA crime reporting system.

violent crime rates are primarily due to an exceptionally high rate of assault. Every Indian reservation in South Dakota has a higher assault rate than the average for non-reservation areas.

Homicide occurred only on the Pine Ridge, Rosebud and Sisseton reservations in 1974. The rates of homicide from these three reservations produced an average homicide rate on reservations (26 per 100,000 population) far above the South Dakota non-reservation average for 1974 (2 per 100,000 population.)

Rape is also a problem on South Dakota reservations. Every reservation with the exception of Yankton experienced a rape rate higher than the non-reservation average. The most serious problem with rape was on the Pine Ridge reservation where 35 rapes occurred in 1974.

Robbery occurred on two reservations, Pine Ridge and Sisseton. The robbery rates on these two reservations, however, produced an average reservation rate of robbery that was higher than the South Dakota average in 1974.

In the United States and in South Dakota's non-reservation areas property crimes outnumber violent crimes. On South Dakota reservations the reverse is true. The average property crime rate on reservations was comparable to the non-reservation average. Property crimes were a serious problem on the Lower Brule reservation where a property crime rate of 12,536 per 100,000 population occurred. Property crime rates were also relatively high on the Pine Ridge, Sisseton and Rosebud reservations. The remaining four reservations experienced property crime rates below 1,000.

Larceny was the only crime which occurred at a lower rate on South Dakota reservations than in non-reservation areas in 1974. While Lower Brule had an exceptionally high larceny rate, all other reservations had a rate of larceny close to or far below the non-reservation average.

The rate of burglary was highest on the Lower Brule reservation. Sisseton, Pine Ridge and Rosebud also experienced higher burglary rates than the average for South Dakota reservations during 1974. Very low burglary rates occurred on the Cheyenne River and Standing Rock reservations.

Four reservations (Cheyenne River, Lower Brule, Standing Rock and Yankton) experienced no automobile thefts in 1974. The automobile theft rate was very high in Pine Ridge and higher than the non-reservation average in Sisseton.

Crime in 1975. Table 17 contains the rate of offenses known to law enforcement agencies on South Dakota Indian Reservations in 1975. The total crime rate on reservations decreased 15% in 1975 from the 1974 rate. However, the total crime rate on reservations remained higher than the non-reservation average. In 1975, as in 1974, Lower Brule and Pine Ridge had the highest reservation total crime rates. A very large increase in crimes, especially violent crimes, gave Crow Creek the third highest reservation crime rate. The crime rate decreased by more than 50% between 1974 and 1975 on the Rosebud reservation. The remaining four reservations experienced a total crime rate less than the South Dakota non-reservation average.

Table 17

Rate of Offenses Known to Agencies on Indian Reservations in South Dakota<sup>a</sup> 1975

Agency	Homicide	Rape	Robbery	Assault	Total Violent	Burglary	Larceny	Auto	Total Property	Total Crimes
Cheyenne River	0	44	0	242	286	309	309	22	639	926
Crow Creek	0	70	0	3,989	4,059	490	1,190	70	1,749	5,808
Lower Brule	0	531	398	10,226	11,155	2,789	5,312	1,328	9,429	20,584
Pine Ridge	160	211	0	5,345	5,717	2,128	1,224	160	3,513	9,230
Rosebud	166	190	0	1,807	2,164	547	1,559	0	1,106	3,270
Sisseton	0	0	0	368	368	0	170	0	170	538
Standing Rock	19	78	0	468	565	468	58	0	526	1,091
Yankton	0	0	0	70	70	632	70	0	702	772
SD Reservations	92	140	8	2,612	2,851	1,006	737	84	1,827	4,678
SD Non-Reservation	4	17	31	154	205	668	1,698	168	2,534	2,739

Note. Reservation data derived from, "Offenses Known to Police" forms obtained from the BIA. Non-reservations data obtained from Table 4, Crime in the United States, 1975. Rate of offenses are the number of crimes per 100,000 population.

<sup>a</sup>Flandreau does not use the BIA crime reporting system.

Violent crime rates were also the highest in the Lower Brule, Pine Ridge and Crow Creek reservations. No other reservation had a violent crime rate above the reservation average. The violent crime rate in the Yankton reservation decreased dramatically between 1974 and 1975 making it the only reservation with a violent crime rate below the South Dakota non-reservation average in 1975.

In 1975, as in 1974, assaults accounted for the majority of violent crimes on South Dakota reservations. Very high assault rates occurred on the Lower Brule, Pine Ridge and Crow Creek reservations. Every other reservation, with the exception of Yankton, also experienced a rate of assaults higher than the South Dakota non-reservation average.

Rapes were reported on every reservation in the state in 1975, except for Sisseton and Yankton. Lower Brule, Pine Ridge and Rosebud had rape rates above the average of other reservations in the state. Lower Brule and Rosebud were the only reservations that reported an increase in rape rates between 1974 and 1975.

The homicide rate for South Dakota reservations increased by 254% between 1974 (26 per 100,000 population) and 1975 (92 per 100,000 population). The three reservations in which homicide occurred (Pine Ridge, Rosebud and Standing Rock) all experienced a higher homicide rate in 1975 than 1974. The rate of homicide in Sisseton dropped from 41 per 100,000 population in 1974 to zero in 1975.

Only one South Dakota reservation (Lower Brule) experienced any robberies in 1975. This resulted in an average robbery rate for reservations in the state that was much lower than the non-reservation average.

The average property crime rate for South Dakota reservations fell from 2,587 per 100,000 population in 1974 to 1,827 per 100,000 population in 1975. This decrease gave reservations in the state a lower average property crime rate than non-reservation areas for 1975. Among the reservations, Lower Brule and Pine Ridge maintained the highest property crime rates in 1975. All other reservations had property crime rates below the South Dakota non-reservation average. Crow Creek, Cheyenne River and Standing Rock property crime rates increased between 1974 and 1975. The Sisseton property crime rate dropped 94% between 1974 and 1975 giving Sisseton the lowest property crime rate of any reservation in the state.

Burglary was the most common property crime on South Dakota's reservations in 1975. The average reservation burglary rate increased 35% in 1975 over the 1974 level. Rosebud, Sisseton and Yankton were the only reservations in the state which did not experience an increase in burglary rate. Two reservations (Lower Brule and Pine Ridge) had burglary rates above 2,000 per 100,000 population in 1975.

The average reservation larceny rate decreased 51% from 1974 to 1975, giving reservations a lower average larceny rate than non-reservation areas within the state. Lower Brule had the highest reservation larceny rate in 1975 followed by Pine Ridge and Crow Creek. The Cheyenne River, Crow Creek and Standing Rock reservations had

an increase in larceny rates in 1975.

Four reservations (Lower Brule, Pine Ridge, Crow Creek and Cheyenne River) experienced automobile thefts in 1975. Although the automobile theft rate in Lower Brule increased from zero in 1974 to 1,328 per 100,000 population in 1975, the average reservation automobile theft rate decreased 76% between 1974 and 1975. The largest decrease in automobile thefts occurred on the Sisseton, Rosebud and Pine Ridge reservations.



## Correlates of Crime in South Dakota

The purpose of this section is to examine the relationship between crime and several socioeconomic variable in 15 South Dakota counties. Since complete UCR data is available from only 15 counties the results reported here should not be generalized to the entire state. This section will provide an example of one of the many ways in which complete data can be used when it becomes available.

Correlations are used to describe the degree of relationship between two variables. When a high degree of relationship exists between two variables the correlation obtained will approach +1.0 (positive correlation) or -1.0 (negative correlation). A correlation of +1.0 or -1.0 indicates that a perfect relationship exists and it is possible to exactly predict the value of one variable if the value on the second variable is known. A correlation of 0.0 indicates that no relationship exists between the two variables.

When increasing values on one variable are associated with increasing values on the second variable a positive value for the correlation is obtained. A negative value for the correlation is obtained when increasing values on one variable are associated with decreasing values on the second variable.

Tests of statistical significance help to determine if the correlation between two variables is due to chance or to a true relationship between the variables.

Statistical significance is stated in probability (p) values. For example,  $P < .05$  indicates that there is less than 5 chances in 100 that the correlation obtained is due to chance alone.

However, if there are 100 correlations all statistically significant at the  $p < .05$  level, 5 of these correlations would still be expected due to chance. Although other significance levels (e.g.  $p < .01$ ,  $p < .10$ ) are often used the  $p < .05$  level is the most common. When a correlation is significant at the  $p < .05$  level it can be stated with a reasonable degree of confidence that an actual relationship exists between the two variables.

The crime rate in any geographic area is related to the socioeconomic and demographic characteristics of the area. The determination of relationship between crime rate and these variables can be useful in understanding crime and in developing plans to reduce crime rates. From correlational data alone it is impossible to determine if a high crime rate is responsible for the socioeconomic characteristics of any area, if socioeconomic characteristics determine the crime rate or, if some other variable or variables are responsible for both. A study of the relationships can, however, lead to a better understanding of the crime problem.

In March of 1973 the Center for Social Research and Development at the University of Denver published Socioeconomic Data Rank Ordered for South Dakota. This publication contains the rank ordering of South Dakota counties on 121 demographic, economic, health, education, welfare and ethnic variables. These variables, which were selected for their reliability and validity, can provide some insight into the factors related to crime in South Dakota.

In order to provide the most reliable indicator of crime 15 South Dakota counties on which complete 1975 UCR crime data was available were selected for analysis. These 15 counties are listed in Table 18. Three additional counties also supplied

Table 18

## 15 Counties Rank Ordered on 1975 Crime Rate

County	Crime Rank	Part I Crime Rate	Part I Crimes	Population
Pennington	1	7,623	5,000	65,591
Yankton	2	4,329	779	17,997
Minnehaha	3	4,112	4,042	98,288
Brown	4	3,546	1,365	38,495
Faulk	5	1,948	74	3,799
Codington	6	1,934	379	19,597
Brookings	7	1,314	297	22,597
Sully	8	1,000	23	2,300
Perkins	9	822	37	4,499
Kingsbury	10	757	56	7,399
Hanson	11	595	22	3,699
Lake	12	560	61	10,898
Hamlin	13	554	31	5,599
Grant	14	474	44	9,287
Haakon	15	296	8	2,700

Note. Data derived from FBI, "Crime by County" computer printout of June 1976.

complete crime data for 1975, however, they were eliminated from the analysis because of governmental attachment to another county (Fall River), or the presence of Indian lands within the county for which comparable crime data was not available (Mellette and Bennett).

Of the 121 socioeconomic variables under consideration 37 were eliminated from the analysis because of missing data or the existence of more than three counties with the same rank on a variable. Identical ranks of several counties on a variable makes interpretation of the resulting correlation difficult.

The rank order of each county on the remaining 84 variables was determined. This rank order on each variable was then compared to the rank order of county crime rates. Kendall's tau was used to compute the degree of relationship between crime rate and each of the 84 socioeconomic variables.

Of the 84 correlations, 30 were significantly different than zero ( $p < .05$ ). The 30 variables that correlated significantly with crime rate are listed in Table 19.

Nine demographic variables correlated with crime. The percentage of year-round housing units lacking plumbing facilities correlated higher with crime rate than any other demographic variable. The negative correlation indicates that high crime rate tends to be associated with a low percentage of housing units that lack plumbing facilities in the 15 counties studied. High crime rates were also associated with a low percentage of persons 65 and over and, a low percentage of rural farm population. Size of county population and the percentage of Indian population tended to increase as crime rates increase.

Table 19

## CORRELATIONS BETWEEN CRIME RATE AND SOCIOECONOMIC VARIABLES

Correlation with Crime rate	
	<u>Demographic</u>
.429	Population <sup>a</sup>
.429	Percent of families with own child under 18 <sup>a</sup>
.429	Percent of families with own child under 6 <sup>a</sup>
.429	Percent Indian population <sup>a</sup>
.410	Percent in different state of residence than in 1965 <sup>a</sup>
.410	Percent veteran of civilian males 16 and over <sup>a</sup>
-.498	Percent of year-round housing units lacking plumbing facilities <sup>a</sup>
-.459	Percent of population 65 years and over <sup>a</sup>
-.429	Percent farm population in places less than 2,500 population <sup>a</sup>
	<u>Economic</u>
.676	Mean income of families <sup>a</sup>
.581	Percent of families with income of \$15,000 or more <sup>a</sup>
.562	Total county evaluations <sup>b</sup>
.524	Per capita income of persons <sup>a</sup>
.524	Median dollar value of owner occupied housing units <sup>a</sup>
.478	Median contract rent of renter occupied housing units <sup>a</sup>
.467	Median income of families <sup>a</sup>
.410	Employed, 16 and over, percent service and household workers <sup>a</sup>
-.543	Percent of families with Social Security income <sup>a</sup>
-.448	Employed, 16 and over, percent blue collar (except farmers) <sup>a</sup>
-.383	Percent of families with income below poverty level <sup>a</sup>
	<u>Health</u>
-.600	Persons per M.D. <sup>c</sup>
-.562	Persons per R.N. <sup>c</sup>
-.486	Rate of deaths <sup>c</sup>
-.467	Rate of death by heart diseases <sup>c</sup>
-.429	Rate of deaths by cancer <sup>c</sup>
	<u>Education</u>
.448	Average daily school membership <sup>d</sup>
.429	Male 25 years and over, percent High School graduates <sup>a</sup>
	<u>Welfare</u>
.619	Families with income less than poverty level, percent with welfare <sup>a</sup>
.581	Aid to Dependent children expenditures per recipient <sup>e</sup>
.429	Aid to Dependent children recipient rate <sup>e</sup>

Note. Crime data obtained from "Crime by County" FBI computer printout of June, 1974. Demographic data obtained from Socioeconomic Data Rank Ordered for South Dakota, March 1973. All rates were expressed in terms of 1,000 population.

<sup>a</sup>1970 Census

<sup>b</sup>South Dakota Department of Revenue

<sup>c</sup>South Dakota Department of Health

<sup>d</sup>South Dakota Department of Public Instruction

<sup>e</sup>South Dakota Department of Welfare

The other demographic variables which were positively related to crime rate included the percentage of 1) families with children 2) the county population not living in South Dakota in 1965 and 3) veterans of the armed forces.

<sup>Eleven</sup>~~Ten~~ economic variables were correlated with crime rate in the 15 counties. The mean income of families was more highly correlated with crime rate than any other variable studied. The positive correlation indicates that a high mean family income was related to a high crime rate. A high crime rate was also associated with larger percentages of service and household workers and smaller percentages of blue collar workers. The seven other significant correlations between crime rate and economic variables all suggest that high crime rate is associated with material wealth.

All five significant correlations between crime rate and health variables were negative. A higher number of people per medical doctor and registered nurse was related to lower crime rate. The correlation between crime rate and persons per M.D. was the only one of the 30 correlations that was not based on data for all 15 counties. The reference source of the socioeconomic data did not provide a rank for Hanson county on the persons per M.D. variable, therefore, this county was excluded from this analysis. A high crime rate was also associated with 1) a low total rate of deaths 2) a low rate of deaths by heart disease and 3) a low rate of deaths by cancer.

Only two variables related to education were significantly correlated with crime rate. A high average daily school membership (which is directly related to population) was associated with a high crime rate. The percentage of males 25 years old or older

who were high school graduates was also positively correlated with crime rate.

The three significant correlations between crime rate and welfare were all positive. A high percentage of families below the poverty level with welfare income, a high ADC expenditure rate per recipient and, a high ADC recipient rate were all associated with a high crime rate.

These correlations suggest that several conditions are associated with crime in the 15 counties studies. As might be expected high crime rates are associated with a high population, high migration, low percentage of population over 65 and, a high welfare recipient rate. Most of the significant correlations found can be related to one variable - size of county population. For example, the high negative correlation between crime rate and persons per M.D. is probably due to higher concentrations of doctors in counties with a high population.

Some of correlations found raise interesting questions. Why are low death rates associated with high crime rates? Why is a high percentage of males who are high school graduates related to a high crime rate? Since a correlation cannot indicate causal factors in a relationship, questions of this type have their major value in arousing curiosity which leads to further exploration.

## The South Dakota Criminal Justice System

Until now, the number of cases handled by each facet of the criminal justice system in South Dakota has not been presented in a systematic way. Barriers to such a presentation have included the unavailability of needed data and the questionable reliability and validity of portions of data that was available. The situation has improved enough, so that even though the same barriers exist, a rudimentary description of the system can be devised. To see through a glass darkly may be more useful than not looking at all.

The accompanying narrative will be more understandable if reference is now made to Figure 2, which presents the model of the criminal justice system to be followed in displaying the data for adults.

The model can be divided into three major segments: Law Enforcement, Courts, and Corrections. Law Enforcement data consists of the number of offenses known to the police and the number of arrests. The first is obtained from the Uniform Crime Reports mailed monthly to the FBI from many, not all, of South Dakota law enforcement agencies. The latter is obtained from the volume of fingerprint cards submitted by arresting officers to the state Division of Criminal Investigation. Though, according to South Dakota law, the fingerprints of any person arrested for a felony or misdemeanor should be forwarded to the Division, many agencies did not comply during the years depicted.

Courts data is based entirely on circuit court caseload statistics provided by the South Dakota Judiciary. These statistics include the number of preliminary hearings, guilty pleas, court trials, and jury trials for both felonies and misdemeanors. The



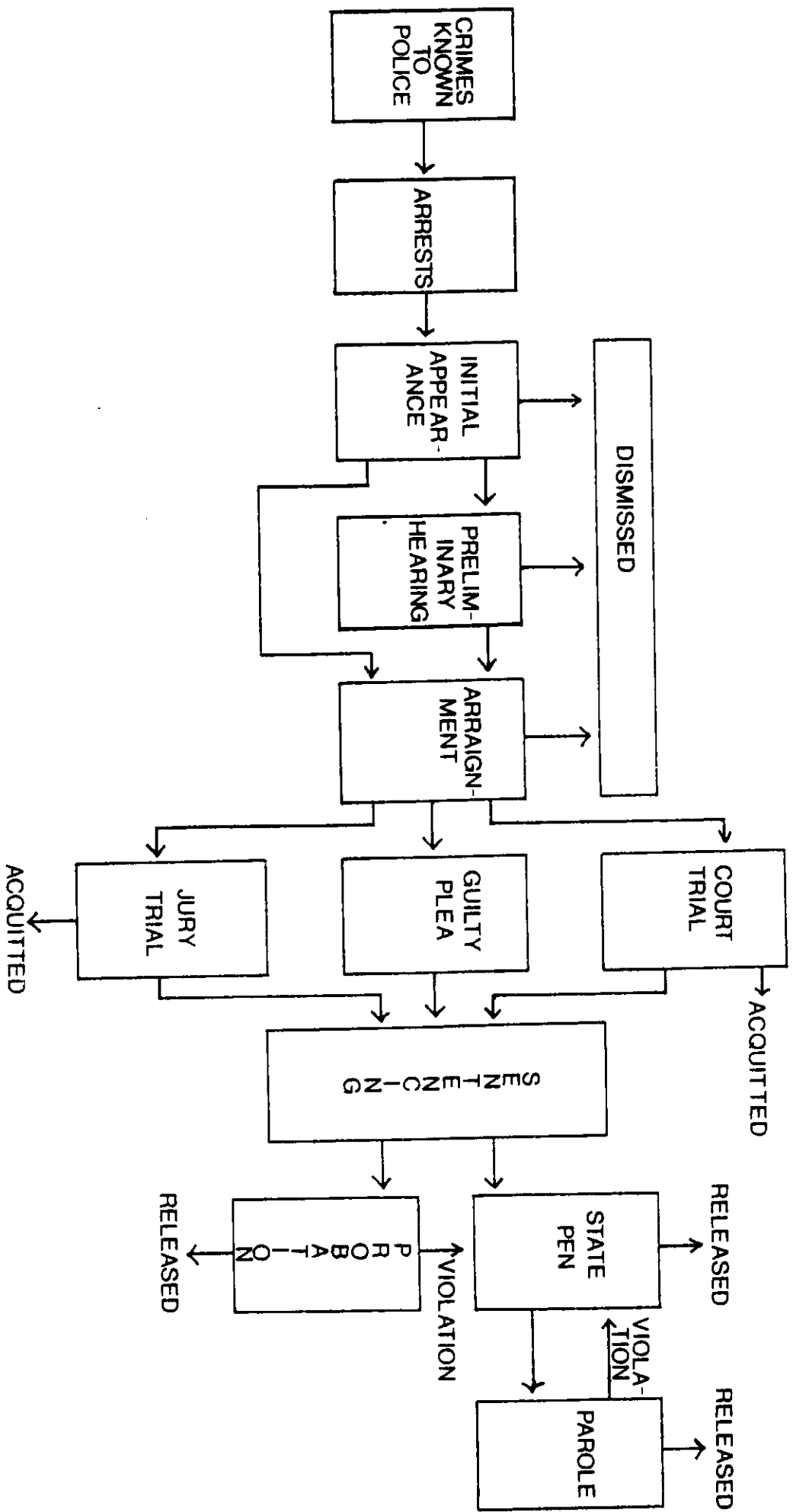


Figure 2. Criminal Justice System Model

total number of dismissals from initial appearances, preliminary hearings, and arraignments are also included. The number of dismissals from each of the three is not known.

The number of initial appearances is obtained by summing the total number of dismissals, court trials, jury trials, and guilty pleas.

The number of sentences for a given year is calculated by adding the number of guilty pleas and the numbers convicted from both court and jury trials.

The number arraigned for a given year, also not provided by the caseload statistics, should be the sum of the number of guilty pleas, court trials, jury trials, and the number dismissed at arraignment. The latter is not known, however, the range within which the actual number of arraignments fall can be determined. The number of arraignments can be no less than the number of guilty pleas, court trials and jury trials. It can be no more than the sum of those three plus the total number of dismissals from the initial appearance, preliminary hearing and arraignment.

Corrections data consists mainly of information obtained from the State Penitentiary's Annual Report. This includes the number of inmates received from court sentencing for a given calendar year, the average and range of the daily number of inmates for the year, the number paroled for the year, the number of parole violators returned to the penitentiary, and the number released from the penitentiary for the year. Probation data comes from the State Judiciary and from the Division of Corrections, Department of Social Services.

Felony data for South Dakota for calendar years 1975 and 1976 is inserted, in the following pages, into the model of the criminal justice system portrayed in Figure 2. The presentation of the felony data will be followed by a description of misdemeanors for the same two years.

Felonies: 1975

The number of felony cases handled by each segment of the system during calendar year 1975 is presented in Figure 3.

The number of crimes known to police (18,707) is obtained from the FBI publication: Crime in the United States, 1975. This number represents the number of violent crimes (murder, rape, robbery, assault) and property crimes (burglary, larceny-theft, motor vehicle theft) reported to the FBI by South Dakota law enforcement agencies. According to the FBI, about 86% of the population of South Dakota towns and 52% of the rural population were covered by actual reports.

An approximation of the number of arrests made in the state is obtained by summing the number of fingerprint cards received by the State Division of Criminal Investigation from sheriffs, police, and highway patrolmen.

Since some agencies did not submit fingerprint cards and since there is no guarantee that submitting agencies created a card for every arrest, this sum does not provide an accurate arrest figure.

Though these known crime and arrest figures are approximate, their size relative to each other fits the well-known funneling effect found with this sort of model. The number of crimes committed (which is unknown) is, no doubt, larger than the number of crimes known to police. The latter, according to the best information

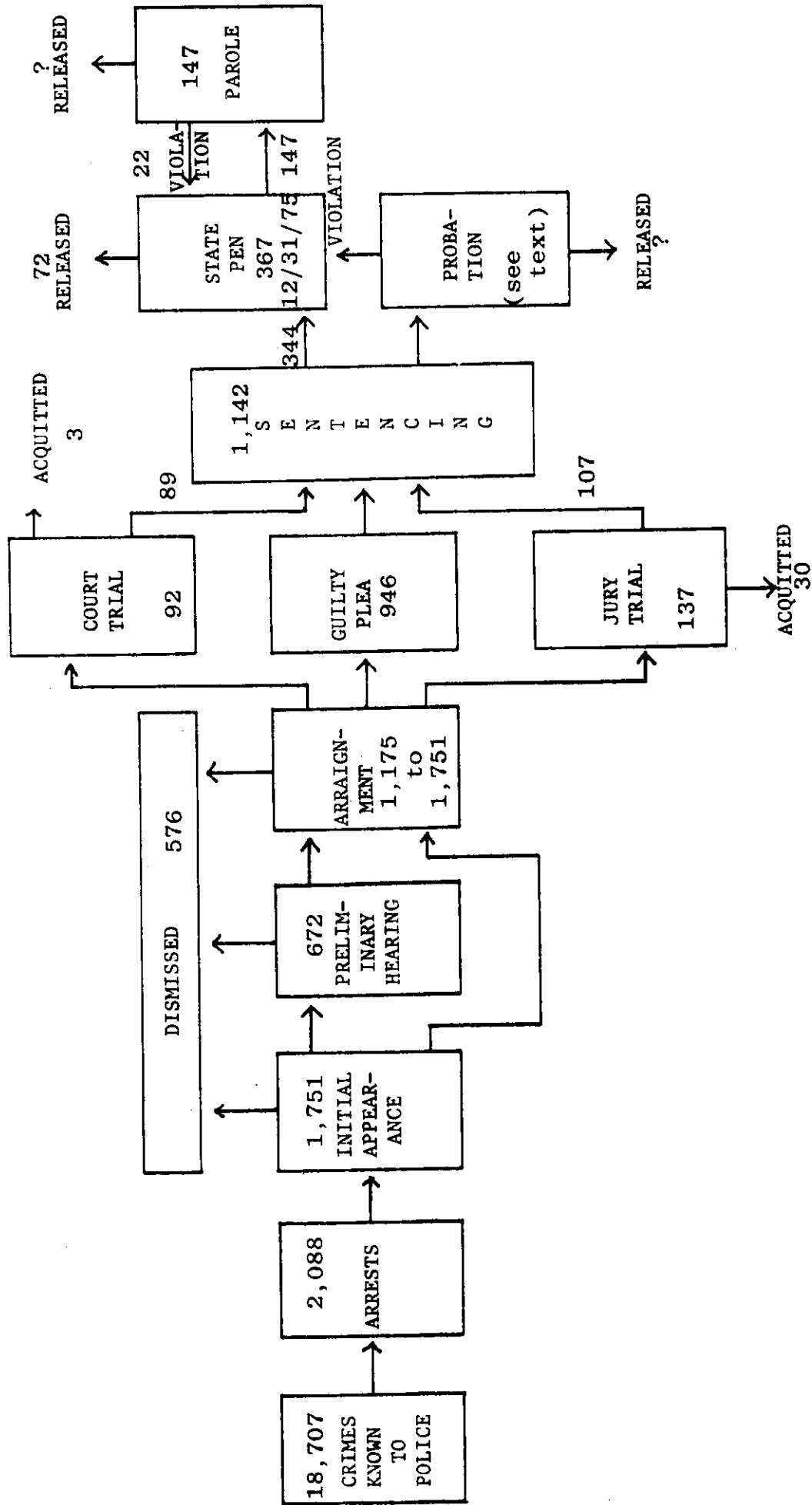


Figure 3. Felony Cases, South Dakota, Calendar Year 1975

available, is many times larger than the number of arrests made.

Of the 1,751 initial appearances for felony charges for the year, about 33% (576) were dismissed at some point along the way. A breakdown by judicial circuit of the percent of initial appearances which were dismissed, resulted in a court trial, resulted in a jury trial, or were guilty pleas is presented in Table 20.

More initial appearances for a felony charge resulted in guilty pleas (54%) than in any other action. About one-third of the initial appearances resulted in dismissals. Understanding the causes of this number of dismissals may well provide clues for increased police and court efficiency.

Differences among the judicial circuits is perhaps pointed out most sharply in comparing the circuit with the lowest percent of dismissals with the circuit with the highest percent. Circuit 1 had about a 17% dismissal rate of initial appearances for possible felony charges in 1975. Circuit 1 is also one of the two circuits with the highest percent of court trials (about 11%) and has a jury trial percentage one and a half times higher than the circuit with the second highest percentage. In other words, about 83% of the initial appearances resulted in either a trial or a guilty plea.

In contrast, Circuit 6 had about a 42% dismissal rate. Only 58% of the initial appearances resulted in either a trial or a guilty plea.

The percent of convictions for court and jury trials are presented for each judicial circuit in Table 21. The average percent of court trials resulting in a conviction is 97 percent. An average of about 78 percent of jury trials produced a conviction.

Table 20

## Circuit Disposition of Initial Appearances: 1975 Felonies

Judicial Circuit		Number	Dismissed	Court Trial	Jury Trial	Guilty Plea
1	No.	197	33	21	41	102
	%	100%	17%	11%	21%	52%
2	No.	207	74	0	25	108
	%	100%	36%	0%	12%	52%
3	No.	290	97	11	10	172
	%	100%	33%	4%	3%	59%
4	No.	147	50	16	8	73
	%	100%	34%	11%	5%	50%
5	No.	292	101	22	12	157
	%	100%	35%	8%	4%	54%
6	No.	203	85	8	15	95
	%	100%	42%	4%	7%	47%
7	No.	297	99	11	14	173
	%	100%	33%	4%	5%	58%
8	No.	118	37	3	12	66
	%	100%	31%	3%	10%	56%
STATE	No.	1,751	576	92	137	946
	%	100%	33%	5%	8%	54%

Table 21

Convictions by Circuit for Court and Jury Felony Trials: 1975

Judicial Circuit	Court Trials		Jury Trials	
	Number	%Convicted	Number	%Convicted
1	21	100%	41	71%
2	0	-	25	76%
3	11	82%	10	80%
4	16	94%	8	88%
5	22	100%	12	92%
6	8	100%	15	73%
7	11	100%	14	86%
8	3	100%	12	83%
STATE	92	97%	137	78%

Felonies: 1976

The number of felony cases handled by each segment of the system during calendar year 1976 is presented in Figure 4.

The number of crimes known to police during 1976 will not be available until the FBI publishes its report on crime in the United States about August, 1977. (This data lag has been solved for the future through implementation by the Attorney-General of a state uniform crime reporting system.)

The approximate number of arrests for felony charges made in the state for the year was 2,285, a figure obtained by summing the number of fingerprint cards received by the State Division of Criminal Investigation from sheriffs, police, and highway patrolmen.

Of the 1,833 initial appearances for felony charges for 1976, about 30% (547) were dismissed at some point along the way.

A breakdown by judicial circuit of the percent of initial appearances which are dismissed, result in a court trial, result in a jury trial, or are guilty pleas is presented in Table 22.

As in 1975, more initial appearances for a felony charge resulted in guilty pleas (58%) than in any other action. About 30% of the initial appearances resulted in dismissals.

Once again, Circuit 1 had the lowest dismissal rate (13%) of all judicial circuits. Circuit 1 also had the greatest percent of court (12%) and jury (25%) trials of all judicial circuits. About 87% of the initial appearances in Circuit 1 resulted in either a trial or a guilty plea.

The highest dismissal rate (41%) occurred in Circuit 7. About 59% of the initial appearances in this circuit resulted in either a trial or plea of guilty.



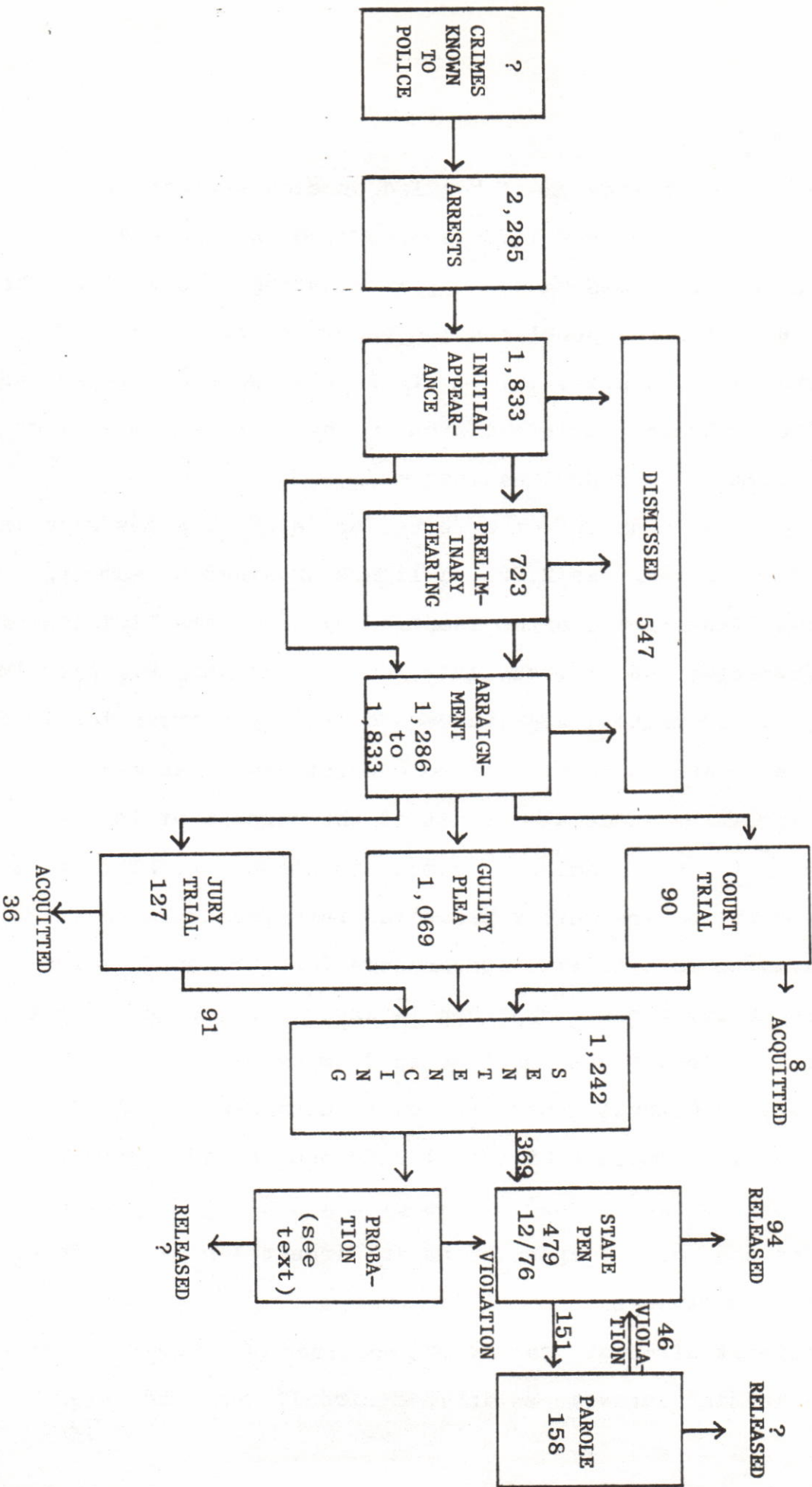


Figure 4. Felony Cases, South Dakota, Calendar year 1976.

Table 22

## Circuit Disposition of Initial Appearances: 1976 Felonies

Judicial Circuit	Initial Appearances					
	Number	Dismissed	Court Trial	Jury Trial	Guilty Plea	
1	No. 164 % 100%	21 13%	19 12%	41 25%	83 51%	
2	No. 332 % 100%	123 37%	7 2%	29 9%	173 52%	
3	No. 427 % 100%	126 30%	20 5%	3 1%	278 67%	
4	No. 166 % 100%	49 30%	10 6%	15 9%	92 55%	
5	No. 230 % 100%	39 17%	18 8%	5 2%	168 73%	
6	No. 115 % 100%	35 30%	3 3%	5 4%	72 63%	
7	No. 296 % 100%	121 41%	11 4%	13 4%	151 51%	
8	No. 103 % 100%	33 32%	2 2%	16 16%	52 51%	
STATE	No. 1,833 % 100%	547 30%	90 5%	127 7%	1,069 58%	

Conviction figures for court and jury felony trials for 1976 are presented for each judicial circuit in Table 23. The average percent of court trials resulting in a conviction is about 91 percent. An average of about 72 percent of jury trials produce a conviction. The lowest conviction rate for both jury and court trials occurred in Circuit 2.

Of those arraigned who either stood trial or pled guilty (1,286), about 83% (1,069) pled guilty. About 7% (90) had a court trial, while about 10% (127) had a jury trial.

The acquittal rate for court trials was about 9%. Eighty-two of the 90 court trials ended in a felony conviction. The acquittal rate for jury trials was about 28%, with 91 of 127 ending in a felony conviction. A total of 1,242 felony convictions, 68% of those who made initial appearances, occurred in 1976.

According to data from the State Penitentiary, 369 males and 24 females were received as inmates from the court in calendar year 1976.

The penitentiary's average daily count ranged, for state prisoners, from 373 (January count) to 479 (December count) male inmates and from 20 to 25 female inmates. The average daily count for male federal prisoners ranged from 14 to 26.

During 1976, 94 persons were discharged and 151 paroled from the penitentiary. Forty-six persons, not necessarily from the 151 paroled, were returned for parole violations. According to the Board of Charities and Corrections, 158 persons were under parole supervision in calendar year 1976.

The number of felony cases on probation in 1976 is not known. However, the total number of probationers under supervision by

Table 23

Convictions by Circuit for Court and Jury Felony Trials: 1976

Judicial Circuit	Court Trials		Jury Trials	
	Number	%Convicted	Number	%Convicted
1	19	89%	41	80%
2	7	43%	29	59%
3	20	100%	3	100%
4	10	100%	15	60%
5	18	100%	5	80%
6	3	100%	5	80%
7	11	82%	13	69%
8	2	100%	16	75%
STATE	90	91%	127	72%

the Office of Adult Corrections for fiscal year 1976 was 148. The total number of cases under supervision by the courts for calendar year 1976 was 805 (717 males and 88 females).

Misdemeanors: 1975

The number of misdemeanors known to South Dakota police is not available due to a lack of uniform recording of this information. Hopefully, the new crime reporting system presently supervised by the Division of Criminal Investigation, will alleviate this condition.

If the number of fingerprint cards associated with misdemeanor arrest submitted by law enforcement agencies to the Division of Criminal Investigation is accepted as an approximation of the total number of arrests, 4,077 arrests for misdemeanors were made during calendar year 1975. This arrest figure, however, is far below the number of initial appearances for misdemeanor charges recorded by the judiciary (10,719).

Of these initial appearances, about 14% (1,500) were dismissed at either the initial appearance, the preliminary hearing, or the arraignment.

A breakdown by judicial circuit of the percent of initial appearances which were dismissed, resulted in a court trial or a jury trial, or were guilty pleas is presented in Table 24.

Statewide, a greater percent of guilty pleas (80%) and a smaller percent of dismissals (14%) occurred during 1975 for misdemeanor than for felony charges (54% and 33%, respectively).

The two circuits with the highest number of misdemeanor appearances, circuits 2 and 7, were also the circuits with the

Table 24

## Circuit Disposition of Initial Appearances: 1975 Misdemeanors

Judicial Circuit	Initial Appearances				
	Number	Dismissed	Court Trial	Jury Trial	Guilty Plea
1	No. 1,049 % 100%	143 14%	74 7%	12 1%	820 78%
2	No. 2,022 % 100%	144 7%	165 8%	22 1%	1,691 84%
3	No. 1,466 % 100%	150 10%	38 3%	12 1%	1,266 86%
4	No. 885 % 100%	110 12%	51 6%	21 2%	703 79%
5	No. 1,064 % 100%	135 13%	8 0.7%	6 0.6%	915 86%
6	No. 1,316 % 100%	237 18%	37 3%	15 1%	1,027 78%
7	No. 2,302 % 100%	499 22%	127 6%	10 0.4%	1,666 72%
8	No. 615 % 100%	82 13%	3 0.5%	8 1%	522 85%
STATE	No. 10,719 % 100%	1,500 14%	503 5%	106 1%	8,610 80%

greatest contrast in percent dismissals. Of 2,022 appearances, circuit 2 had a 7 percent dismissal rate. Circuit 7 had a 22% dismissal rate with 2,302 appearances. Circuit 7 also had a 72% guilty plea rate, the lowest of all judicial circuits.

The percent of convictions for court and jury trials are presented for each judicial circuit in Table 25. State conviction rates for misdemeanor charges are about 79% for 503 court trials and 63% for 106 jury trials.

The number of trials and percent of convictions varied widely across circuits. The number of court trials ranged from 3 in circuit 8 to 165 in circuit 2. Court trial conviction rates for misdemeanor charges ranged from 54% in circuits 6 and 7 to 89% and 100% in circuits 1 and 8, respectively.

The number of jury trials in 1975 for misdemeanor charges ranged from 6 in circuit 5 to 22 in circuit 2. Conviction rates from jury trials ranged from 30 percent (circuit 7) to 100 percent (circuit 5).

Of those arraigned who either stood trial or pled guilty (9,219), about 93% (8,610) pled guilty. About 5% received a court trial, while about 1% chose a jury trial.

Court trial acquittal rate for misdemeanors was about 21%. Of the 503 court trials, 399 ended in a misdemeanor conviction. The acquittal rate for jury trials was about 37% with 67 of the 106 jury trials ending in a conviction. A total of 9,076 misdemeanor convictions, 85% of those who made initial appearances, occurred in 1975.

Misdemeanors: 1976

The number of fingerprint cards associated with misdemeanor

Table 25

Convictions by Circuit for Court and Jury Trials: 1975 Misdemeanors

Judicial Circuit		Court Trials		Jury Trials	
		Total	Convicted	Total	Convicted
1	No. %	74	66 89%	12	8 75%
2	No. %	165	115 70%	22	13 59%
3	No. %	38	22 58%	12	11 92%
4	No. %	51	45 88%	21	11 52%
5	No. %	8	6 75%	6	6 100%
6	No. %	37	20 54%	15	9 60%
7	No. %	127	122 54%	10	3 30%
8	No. %	3	3 100%	8	6 75%
STATE	No. %	503	399 79%	106	67 63%



arrests received by the Division of Criminal Investigation in 1976 was 4,959.

Of the 9,532 initial appearances for misdemeanor charges, about 13% (1,281) were dismissed at either the initial appearance, the preliminary hearing, or the arraignment.

A breakdown by judicial circuit of the percent of initial appearances which were dismissed, resulted in a court or jury trial, or were guilty pleas is presented in Table 26.

As in 1975, the statewide percent of guilty pleas (79%) was greater and the percent of dismissals (13%) smaller for misdemeanor than for felony charges (58% and 30%, respectively).

Though there were about 1,200 fewer initial appearances for misdemeanor charges in 1976 than in 1975, the disposition percentages for the two years are remarkably similar for both the state and the judicial circuits.

Percent of dismissals in 1976 ranged from about 9% in circuits 3 and 5 to about 23 percent in circuit 7, which also had the lowest percent (70%) of guilty pleas. Circuit 5 had the largest percent of guilty pleas (89%) in the state.

The percent of convictions for court and jury trials are presented for each judicial circuit in Table 27. State conviction rates for misdemeanor charges are about 87% (as compared to 79% in 1975) for court trials and 53% (as compared to 63% in 1975) for jury trials. Five hundred forty-three court trials and 154 jury trials for misdemeanor charges occurred in 1976, each an increase from 1975.

As in 1975, wide variation in number of trials and percent convictions existed across circuits. Court trials ranged from 19

Table 26

## Circuit Disposition of Initial Appearances: 1976 Misdemeanors

Judicial Circuit		Initial Appearances				
		Number	Dismissed	Court Trial	Jury Trial	Guilty Plea
1	No. %	1,293 100%	170 13%	135 10%	26 2%	962 74%
2	No. %	1,222 100%	131 11%	93 8%	22 2%	976 80%
3	No. %	1,301 100%	113 9%	54 4%	20 2%	1,114 86%
4	No. %	829 100%	85 10%	60 7%	18 2%	666 80%
5	No. %	1,392 100%	129 9%	19 1%	9 0.6%	1,235 89%
6	No. %	1,066 100%	181 17%	53 5%	16 2%	816 77%
7	No. %	1,699 100%	385 23%	109 6%	19 1%	1,186 70%
8	No. %	730 100%	87 12%	20 3%	24 3%	599 82%
9	No. %	9,532 100%	1,281 13%	543 6%	154 2%	7,554 79%

Table 27

Convictions by Circuit for Court and Jury Trials:  
1976 Misdemeanors:

Judicial Circuit		Court Trials		Jury Trials	
		Number	Convicted	Number	Convicted
1	No. %	135	123 91%	26	16 62%
2	No. %	93	74 80%	22	13 59%
3	No. %	54	33 61%	20	7 35%
4	No. %	60	60 100%	18	9 50%
5	No. %	19	17 89%	9	1 11%
6	No. %	53	39 74%	16	9 56%
7	No. %	109	108 99%	19	14 74%
8	No. %	20	18 90%	24	12 50%
STATE	No. %	543	472 87%	154	81 53%

in circuit 5 to 135 in circuit 1. Conviction rates for court trials ranged from 61% (circuit 3) to 100% (circuit 4).

The number of jury trials in 1976 for misdemeanor charges ranged from 9 in circuit 5 to 26 in circuit 1. Circuit 5 also had the lowest conviction rate for jury trials (11%). The highest conviction rate (74%) occurred in circuit 7.

Of those arraigned who either stood trial or pled guilty (8,251), about 91% (7,554) pled guilty. About 7% received a court trial, while about 2% chose a jury trial.

Court trial acquittal rate for misdemeanors was about 13%. Of the 543 court trials, 472 resulted in a misdemeanor conviction. The acquittal rate for jury trials was about 47%, with 81 of the 154 jury trials ending in a conviction. A total of 8,107 misdemeanor convictions, 85% of those who made initial appearances, occurred in 1976.

#### State Judiciary Juvenile Referrals

The number of juveniles referred to the court on delinquency charges and the disposition actions taken by the court in calendar year 1976 are outlined for males in Table 28 and for females in Table 29.

Delinquency diversions refers to those juveniles who are diverted from the court into a program, such as counseling. About 54% of the 2,790 males referred to court and 67% of the 675 females were directed into such programs.

The percentage of male juveniles diverted from court ranged from 36% (judicial circuits 3 and 5) to 76% (circuit 6). Female juveniles diverted ranged from 40% (circuit 3) to 86% (circuit 7) of the referrals.

Table 28

State Judiciary Juvenile Referral Statistics:  
Males, Calendar Year 1976

Judicial Circuit	Court Referrals	Diversions No.	Diversions %	Adjudicated No.	Adjudicated %	Pro-bation	Youth Service Program
1	383	242	63%	129	34%	245	2
2	652	326	50%	274	42%	188	22
3	363	131	36%	226	62%	202	14
4	336	172	51%	148	44%	203	6
5	259	92	36%	165	64%	129	13
6	294	222	76%	65	22%	172	1
7	274	181	66%	81	30%	72	12
8	229	127	55%	98	43%	129	3
STATE	2,790	1,493	54%	1,186	43%	1,340	73

Table 29

State Judiciary Juvenile Referral Statistics:  
Females, Calendar Year 1976

Judicial Circuit	Court Referrals	Diversions No.	Diversions %	Adjudicated No.	Adjudicated %	Pro-bation	Youth Service Program
1	81	67	83%	13	16%	37	0
2	124	69	56%	52	42%	41	10
3	58	23	40%	34	59%	31	2
4	105	53	50%	45	43%	50	7
5	76	49	64%	26	34%	27	2
6	106	88	83%	16	15%	35	3
7	85	73	86%	10	12%	18	5
8	40	31	78%	9	23%	26	0
STATE	675	453	67%	205	30%	265	29

Adjudicated refers to those juveniles who were brought to court. About 43% of the males and 30% of the females referred were brought to court. The percent of court referrals that were actually brought to court ranged from 22% (circuit 6) to 64% (circuit 5) for males and from 12% (circuit 7) to 59% (circuit 3) for females.

Juveniles in the Youth Service Program are referred for placement in foster homes.

Probation, Prison and Parole: 1972-1976

A description of changes over a five-year period in the probation, prison, and parole population in South Dakota may serve to dramatize state trends and be useful in determining future policy. Data in this section is presented for both calendar and fiscal years, when available.

Adult corrections. Changes in the number of inmates (male) at the State Penitentiary in Sioux Falls over the five-year period from calendar years 1972 to 1976 are shown in Table 30. Whether the measure by the total number of individuals imprisoned during the year or the average daily count for the year, the same pattern can be seen. The prison population declined each year until 1975 when about a 30% increase occurred.

The number of inmates received from court sentencing declined until 1975, when a 54% increase occurred. The number sentenced to the penitentiary continued to increase in 1976, but less dramatically (7%).

The same type of data is presented in Table 31 for fiscal years 1972 to 1975. Again, the inmate population declined until 1975, when a substantial increase occurred.

A revealing comparison of the growth rate of the South Dakota Penitentiary with that of other state and federal prisons is presented in Appendix A. The number of inmates in each prison on January 1, 1976 and again on the same date in 1977 is given. This information comes from the results of a survey undertaken by Corrections Magazine and published in their March, 1977 issue.

Over the entire United States, there was a 13% increase in the number of inmates from 1976 to 1977. South Dakota's increase, the largest percent increase in prison population of any state except Alaska, was 40%. The number of inmates increased from 372 on January 1, 1976 to 521 on January 1, 1977.

Thus, South Dakota's Penitentiary population has been on the increase since 1974. Changes over the years in the policy used by the courts in making conviction and sentencing decisions may be a major factor here.

Prison population changes for South Dakota's neighboring states were increases of 18% for North Dakota, 6% for Nebraska, 3% for Minnesota, 1 % for Iowa, 33% for Montana, and 14% for Colorado. Wyoming's inmate population decreased 7 percent.

As shown in Table 32 the number of inmates paroled increased substantially from 1972 to 1973, but has remained at essentially the same number since 1973. If both the prison population and parole trends continue, no relief will be offered via parole to an overcrowded prison.

The number of parole violations, for which individuals were returned to prison, took a sharp jump (14 to 23 violations) from 1972 to 1973 and again (22 to 46 violations) from 1975 to 1976.

The number of adult probationers under the supervision of the Division of Corrections for each of fiscal years 1972 to 1976, shown in Table 33, increased across fiscal years 1973 to 1975, then dropped by over 50% from 1975 to 1976, when the judiciary took over many of these cases. For calendar year 1976, the total number of probation cases under supervision by the judiciary was 805.

Juvenile Corrections. Changes in the number of juveniles at the State Training School in Plankinton over the five-year period from fiscal year 1972 to 1976 are presented in Table 33. Though the number of juveniles received increased steadily until 1976 (when there was a 15% drop), the average daily count dropped by 41 percent from 1972 to 1973. The average daily count increased in 1974, leveled off for 1975, and increased again for 1976.

As shown in Table 35 the number of juveniles residing at the State Youth Forestry Camp remained essentially the same (about 24 inmates on any given day) until 1976, when the effects of opening a second camp are seen. Though the number of juveniles on any given day remained constant, the turnover rate, according to the yearly totals, increased across the years.



Table 30

Number and Percent Change of State Penitentiary  
Inmates from Calendar Year 1972 to 1976

Measure	Calendar Year	Number Inmates	Percent Change
Yearly Total	1972	644	
	1973	590	-8%
	1974	481	-18%
	1975	624	+30%
	1976	782	+25%
Daily Average	1972	363	
	1973	272	-25%
	1974	245	-10%
	1975	322	+31%
	1976	451	+40%
Number Received from Courts	1972	272	
	1973	255	-6%
	1974	224	-12%
	1975	344	+54%
	1976	369	+7%

Table 31

Number and Percent Change of State Penitentiary  
Inmates from Fiscal Year 1972 to 1975

Measure	Fiscal Year	Number Inmates	Percent Change
Yearly Total	1972	652	
	1973	618	-5%
	1974	502	-19%
	1975	574	+14%
	1976	807	+41%
Daily Average	1972	385	
	1973	363	-6%
	1974	239	-34%
	1975	273	+14%
	1976	390	+43%

Table 32

## Adults Placed on Parole: 1972-1976

Calendar Year			Fiscal Year		
<u>Year</u>	<u>Number Paroled</u>	<u>Percent Change</u>	<u>Year</u>	<u>Number Paroled</u>	<u>Percent Change</u>
1972	100		1972	87	
1973	149	+49%	1973	145	+67%
1974	138	-7%	1974	147	+1%
1975	147	+7%	1975	152	+3%
1976	151	+3%	1976	154	+1%

Table 33 .

Adults Placed on Probation: Fiscal Years 1972-1976  
(Division of Corrections)

<u>Fiscal Year</u>	<u>Number Placed</u>	<u>Percent Change</u>
1972	227	
1973	221	-3%
1974	266	+20%
1975	307	+15%
1976	148 <sup>a</sup>	-52%

<sup>a</sup> The State Judiciary took charge of many of the probation cases in 1976. 805 cases were under the judiciary's supervision in calendar year 1976.

Table 34

State Training School Population: Fiscal Years 1972-1976

<u>Fiscal Year</u>	<u>Average Daily Count</u>	<u>Percent Change</u>	<u>Number Received</u>	<u>Percent Change</u>
1972	111		133	
1973	65	-41%	141	+6%
1974	78	+20%	150	+6%
1975	84	+1%	189	+26%
1976	103	+18%	165	-15%

Table 35

Youth Forestry Camp Population: Fiscal Years 1972 - 1976

<u>Fiscal Year</u>	<u>Average Daily Count</u>	<u>Percent Change</u>	<u>Number Received</u>	<u>Percent Change</u>
1972	24		42	
1973	23	-4%	45	+7%
1974	24	+4%	50	+11%
1975	24	0%	59	+18%
1976	40	+67%	94	+59%

## System Resources

Criminal Justice Expenditures in South Dakota

The National Criminal Justice Information and Statistics Service (NCJISS) conducts an annual survey of national, state and local government agencies in order to determine criminal justice expenditures and employment in the nation. The data from these surveys is published in the annual report Expenditure and Employment Data for the Criminal Justice System. Government agencies in South Dakota use a variety of accounting systems which define criminal justice expenditures in different ways. In addition, different levels of government report criminal justice expenditures on the basis of different twelve month periods and, not all local governments submit annual expenditure reports to the state auditor general. In order to avoid these problems of data comparability as much as possible, NCJISS data for South Dakota is used in analyzing criminal justice expenditures in the state. Fiscal Year (FY) 1975 is the latest year for which complete expenditure data exist. FY 1975 is defined by NCJISS as July 1, 1974 to June 30, 1975; January 1 to December 31, 1974; or, the government's fiscal year which ended between July 1, 1974 and June 30, 1975. Although some problem exists in comparing data from different 12 month periods, many of the other definitional problems are avoided. Additionally, the use of NCJISS data allows direct comparisons to be made between states.

NCJISS data are collected in two ways. All county governments and all city governments with a city population of 10,000 or more are requested to fill out a mail survey form. In addition, mail surveys

are sent to a sample of all cities with a population under 10,000. Data for South Dakota state government agencies, on the other hand, are collected by a trained field representative.

The FY 1975 NCJISS survey was supplemented by a similar survey conducted by the South Dakota SAC. Six local governments in high crime areas which were not covered by the NCJISS sample were included in the SAC survey. The NCJISS and SAC surveys obtained the same kinds of expenditure and employment information and therefore data from these surveys have been combined in the following tables.

State Agency Expenditures. The criminal justice expenditures of South Dakota state agencies can be found in Table 36. The total expenditures of a state agency are not necessarily included in this table. Only those expenditures which meet the NCJISS definition of criminal justice expenditures are presented. The data for this table have been derived from the binder used by the NCJISS field representative.

The Department of Public Safety and the Department of Social Services make up the largest proportion of state agency criminal justice expenditures. Within these departments the highway patrol and the state penitentiary had the two single largest expenditures. The state expended a total of \$14,073,000 on criminal justice state agency functions.

Local Level Expenditures. All local governments were not sampled by the NCJISS mail survey. However, since the mail survey response has been over 90% in recent years (the FY 1975 figure is not yet available) it is meaningful to analyze local level expenditures by Planning District. The criminal justice expenditures

Table 36

## FY 1975 STATE AGENCY EXPENDITURES

Department of Social Services

Penitentiary	\$2,667,000.00
Training School	688,000.00
Youth Forestry Camp	342,000.00
Adult Corrections	367,000.00
Juvenile Corrections	456,000.00
Administration	6,000.00
TOTAL	\$4,526,000.

Department of Public Safety

Highway Patrol	\$4,161,000.00
D.L.E.A.	449,000.00
A.S.A.P.	551,000.00
TOTAL	\$5,161,000.

Department of Health

Drug Abuse and Substance Control	\$178,000.00
TOTAL	\$178,000.

Attorney General

Criminal Investigation	\$418,000.00
Attorney General	1,387,000.00
TOTAL	\$1,805,000.

Legislature

Legal Services	\$26,000.00
Legal Research Operation	3,000.00
TOTAL	\$29,000.

Judiciary

Supreme Court	\$559,000.00
Circuit Court	1,702,000.00
TOTAL	\$2,261,000.

Department of Manpower Affairs

Retirement Systems- Judges	\$113,000.00
TOTAL	\$113,000.

State Agency

TOTAL	\$14,073,000.
-------	---------------

of cities and counties in South Dakota's Planning Districts is presented in Table 37. The Planning District with the highest crime rate, District VI, also had the largest criminal justice expenditures. Planning District II has the largest population and the second highest crime rate and expenditure level. Planning District V has the lowest population and expenditure level along with the second lowest crime rate.

A total of \$15,087,818 was reported to be expended by local governments on criminal justice functions in FY 1975. The largest proportion of this (\$9,112,631) was expended for police services. Judicial and corrections functions made up the second and third largest categories of expenditures.

Expenditures in High Crime Areas. The criminal justice expenditures in South Dakota's ten high crime areas are presented in Table 38. Sioux Falls, the largest city in the state, had the largest criminal justice expenditures. Pennington County and Minnehaha County ranked second and third respectively on total criminal justice expenditures. Rapid City, the area with the highest total crime rate, ranked fourth on criminal justice expenditures in high crime areas.

The South Dakota totals listed in Table 38 include all criminal justice expenditures in the state. Total criminal justice expenditures in the state are up from the \$24,038,000 expended in FY 1974. Almost one-half of the money expended on criminal justice in the state is for police protection. Corrections and judicial functions rank second and third on criminal justice expenditures.

Table 37

Reported Local Level Criminal Justice Expenditures  
in Planning Districts

Planning District	Total Criminal Justice	Police Protection	Judicial	Legal Services & Prosecution	Indigent Defense	Corrections	Other Criminal Justice
1	2,299,373	1,130,892	226,497	186,023	19,260	736,701	0
2	3,387,364	2,392,897	434,728	282,125	13,632	263,982	0
3	1,929,113	1,139,461	397,731	219,942	32,512	139,467	0
4	2,224,449	1,518,613	348,655	202,730	38,358	113,638	2,455
5	1,657,916	999,794	364,326	214,786	27,086	51,924	0
6	3,589,603	1,930,974	675,047	308,107	135,597	539,878	0
Total	15,087,818	9,112,631	2,446,984	1,413,713	266,445	1,845,590	2,455

Note: Data derived from NCJISS and SAC surveys. This table includes only direct expenditures reported on the NCJISS and the SAC surveys. No estimates are made for agencies that were not sampled or did not respond.



Table 38

FY 1975 Criminal Justice Direct Expenditures in the Total State and in High Crime Areas

Area	Total Criminal Justice	Police Protection	Judicial	Legal Services & Prosecution	Indigent Defense	Corrections	Other Criminal Justice
Aberdeen	583,493	566,353	0	17,140	0	0	0
Mitchell	259,400	247,008	0	12,392	0	0	0
Pierre	291,339	278,168	0	13,171	0	0	0
Rapid City	909,730	764,039	88,616	51,512	5,563	0	0
Sioux Falls	1,664,000	1,545,000	72,000	47,000	0	0	0
Spearfish	129,873	118,281	3,814	7,778	0	0	0
Sturgis	196,693	189,277	0	7,416	0	0	0
Yankton	244,384	225,221	0	8,523	0	10,640	0
Minnehaha Co. <sup>a</sup>	1,009,616	309,761	286,550	156,568	0	256,737	0
Pennington Co. <sup>b</sup>	1,146,027	375,605	313,545	82,696	71,269	302,912	0
South Dakota	29,425,000	14,637,000	4,529,000	2,780,000	267,000	6,296,000	916,000

Note. Data derived from NCJISS and SAC surveys.

<sup>a</sup> Excludes data for Sioux Falls

<sup>b</sup> Excludes data for Rapid City

### Criminal Justice Employment in South Dakota

Information on criminal justice employment from the NCJISS and SAC surveys are included in the following tables. The total employment figures listed in these tables is a simple sum of the full-time and part-time employment figures. Full time equivalent statistics are not provided.

Employment in State Agencies. The criminal justice employment of state agencies in South Dakota is found in Table 39. The Department of Social Services which had the second largest state expenditures in FY 1975 had the <sup>second</sup> largest total employment. The Department of Public Safety had the <sup>third</sup> second largest state agency criminal justice employment total. Of the 1,040 people employed in criminal justice functions by state agencies, 946 are full time and 94 are part time.

Employment in Planning Districts. The reported FY 1975 criminal justice local level employment in South Dakota's Planning Districts is presented in Table 40. More criminal justice personnel are employed in Planning District VI than in any other Planning District. This district also had the highest criminal justice expenditures. Planning District VI with seven public defender employees was the only district to report public defender employment in FY 1975. Planning District II had the second highest employment and criminal justice expenditure level. Of the 1,396 county and city criminal justice employees reported most (1,085) are involved in police protection.

High Crime Area Employment. Data on criminal justice employment levels in South Dakota's ten high crime areas are presented in Table 41. Only three areas- Yankton, Minnehaha County and,

Table 39

## FY 1975 Criminal Justice Employment in State Agencies

<u>DEPARTMENT</u>	<u>EMPLOYMENT</u>		
	<u>Full-time</u>	<u>Part-time</u>	<u>Total</u>
<u>Social Services</u>			
Penitentiary	116	5	121
Training School	70	2	72
Youth Forestry Camp	24	1	22
Adult Corrections	23	9	32
Juvenile Corrections	13	7	20
TOTAL	246	24	270
<u>Public Safety</u>			
Highway Patrol	198	0	198
D.L.E.A.	10	1	11
A.S.A.P.	21	0	21
TOTAL	229	1	230
<u>Health</u>			
Drug Abuse and Substance Control	8	5	13
<u>Attorney General</u>			
Criminal Investigation	30	0	30
Attorney General	64	13	77
TOTAL	94	13	107
<u>Legislature</u>			
Legal Services	2	0	2
<u>Judiciary</u>			
Supreme Court	24	0	24
Circuit Court	343	51	394
TOTAL	367	51	418
<u>State Agency TOTAL</u>	946	94	1,040

Table 40

Reported Local Level Criminal Justice  
Total Employment in Planning Districts

Planning Districts	Total Criminal Justice	Police Protection	Judicial	Legal Services & Prosecution	Indigent Defense	Correc-tions	Other Criminal Justice
1	196	156	3	26	0	11	0
2	287	238	4	22	0	23	0
3	202	154	3	29	0	16	0
4	219	164	10	35	0	10	0
5	179	121	14	36	0	8	0
6	313	252	2	30	7	22	0
Total	1,396	1,085	36	178	7	90	0

Note: This table includes only employees reported on the NCJISS and the SAC surveys. No estimates are made for agencies that were not sampled or did not respond.

Table 41

Criminal Justice Total Employment FY 1975

Area	Total Criminal Justice	Police Protection	Judicial	Legal Services & Prosecution	Indigent Defense	Corrections	Other Criminal Justice
Aberdeen	48	46	0	2	0	0	0
Mitchell	24	23	0	1	0	0	0
Pierre	28	25	0	3	0	0	0
Rapid City	87	83	0	4	0	0	0
Sioux Falls	136	133	0	3	0	0	0
Spearfish	15	15	0	0	0	0	0
Sturgis	15	15	0	0	0	1	0
Yankton	26	24	0	1	0	22	0
Minnehaha Co. a	71	38	2	9	0	18	0
Pennington Co. b	74	40	2	7	7		
South Dakota	2,625	1,492	457	264	7	373	32

Note: Data derived from NCJISS and SAC surveys

a Excludes data for Sioux Falls

b Excludes data for Rapid City

Pennington County-employ personnel specifically for correctional functions. The seven Planning District VI employees in public defense found in Table 40 are all located in Pennington County. The two counties in Table 41 are the only areas which report judicial employment due to the structure of the court system in the state. Sioux Falls employs more criminal justice personnel than any other high crime area.

The South Dakota total employment figures found in Table 40 include all known criminal justice employees in the state. Police protection employees include 1,492 of the total criminal justice employment of 2,625 in South Dakota.

#### Workload Data

As seen in Table 42 there was a ratio of 559 South Dakota residents per law enforcement employee in 1975. This ratio is based on law enforcement employment data provided by NCJISS and includes law enforcement employees without powers of arrest. In 1975 an average of 15.3 UCR Part I offenses occurred per law enforcement employee. Using fingerprint records as a rough measure of arrests, a ratio of 5.73 arrests per law enforcement employee is found.

The Statistical Analysis Center conducted a survey of States Attorneys in South Dakota in 1975. Fifty-one of the 64 States Attorneys offices in the state responded to the survey. An extrapolation of these responses to total prosecutor employment in the state produces a ratio of approximately 99.76 criminal cases per prosecutor. In the circuit court system in South Dakota there was a ratio of 311.75 criminal cases per judge or law trained magistrate in 1975.

Table 42

## Police Workload in South Dakota and Selected States

State	Population per employee	UCR Part I Crimes per employee
South Dakota	559	15.3
North Dakota	609	14.2
Montana	484	20.3
Wyoming	377	15.7
Idaho	461	19.1
United States	383	20.3

Note: Law Enforcement employee data is based on full-time equivalent employees obtained from Expenditure and Employment Data for the Criminal Justice System 1975.

The South Dakota state penitentiary reported 3.59 inmates per uniformed staff in FY 1975 and 4.93 inmates per uniformed staff in FY 1976. There was a ratio of 25.75 parolees per parole officer in FY 1975.



## SUMMARY

South Dakota does not, in comparison with the nation and with neighboring states, have a serious crime problem. In 1975, the South Dakota crime rate was a little more than half (52%) the total rate of crime of the United States population. South Dakota also has the second lowest 1975 crime rate when compared with its neighboring states: North Dakota, Montana, Wyoming, and Idaho.

In the next few years, with the advent of better crime reporting systems, the South Dakota crime rate may be found to be higher than the present data indicate. This more reliable and valid data of the future is not expected, however, to negate the premise that South Dakota has a comparatively low overall crime rate.

In rural South Dakota, all major crimes (homicide, robbery, assault, burglary, larceny, and car theft) except rape occurred at a lower rate than the average of other rural areas in the United States. The rape rate (14 reported per 10,000 persons) was about the same.

Rapid City had the highest crime rate in 1975 of any city in South Dakota. About 845 property (burglary, larceny and auto theft) and violent (homicide, rape, robberies, assault) crimes were committed for every 10,000 Rapid City resident.

Cities of comparable size in the United States had an average of about 559 property and violent crimes for every 10,000 residents.

Both the violent and the property crime rates for Rapid City in 1975 exceeded the average crime rate for cities of comparable size. Rapid City's violent crime rate was about 104 for every 10,000 residents, as compared to 34 per 10,000 for cities of similar size. The average property crime rate for similar-

size cities was 525 per 10,000; Rapid City's property crime rate was 740 per 10,000.

Other than in Rapid City, 1975 property crime rates were largest in Yankton (535 per 10,000 people), Sioux Falls (476 per 10,000), and Aberdeen (470 per 10,000). Violent crime rates, excluding Rapid City, were highest in Aberdeen (about 24 violent crimes per 10,000 persons) and Sioux Falls (about 14 per 10,000 persons).

Sioux Falls, the largest city in South Dakota, had a lower average 1975 crime rate than other U.S. cities of the size for all major crimes except rape. The rape rate for Sioux Falls in 1975 was 3.1 per 10,000 persons. Cities of comparable size had a rape rate of 2.6 per 10,000 persons.

Violent crimes in South Dakota have been increasing more rapidly in urban than in rural areas in recent years (1973 to 1975). The fastest rate of increase in violent crimes has been taking place in Minnehaha County, Rapid City, and Aberdeen.

An accurate picture of crime on the Indian reservations in South Dakota is not possible from the available data. The following remarks are made on the basis of data which is incomplete, inconsistent in places, and highly variable from year to year.

According to this data, the overall crime rate for South Dakota reservations in 1975 was about 41% higher than the overall crime rate for the rest of South Dakota. This difference can be attributed to a larger violent crime rate on the reservations (285 violent crimes per 10,000 persons) than in the rest of the state (21 violent crimes per 10,000 persons). Violent crimes include homicide, rape, robbery, and assault.

Property crimes (burglary, larceny, auto theft) were generally lower (183 property crimes per 10,000 persons) on reservations than for the rest of the state (253 property crimes per 10,000 persons). Lower Brule and Pine Ridge were exceptions, with 943 and 351 property crimes per 10,000 persons, respectively.

An analysis of fingerprint card reports indicated that many law enforcement agencies in the state are not forwarding fingerprint records to the Division of Criminal Investigation on a regular basis. This lack of complete fingerprint records could seriously affect the operation of the proposed South Dakota Major Offenders Bureau by failing to provide sufficient information of habitual offenders.

A description of the criminal justice system in South Dakota was based upon available data for felony and misdemeanor cases handled in calendar years 1975 and 1976.

One of the more striking results from arranging the data in this fashion is the variation in dismissal rates (number of dismissals divided by the number of initial appearances) that occur across judicial circuits.

Dismissed rates for felonies ranged from 17 to 42% of initial appearances dismissed in 1975 and from 13 to 41% in 1976. Less variation occurred for misdemeanors: 7 to 22% dismissals in 1975 and 9 to 23% in 1976.

A related finding concerns the size of this phenomenon rather than its variability. Generally, about one-third of the felony cases and about 13% of the misdemeanor cases resulted in dismissal.

Regardless of whether the case is a felony or misdemeanor, a person is less likely to be convicted in a jury trial than in a court trial. Conviction rates for juries trying felony cases were ~~78%~~<sup>78%</sup> and ~~72%~~<sup>72%</sup> in 1975 and 1976. Court trials of felony cases for the same years resulted in conviction rates of 97% and 91%. For misdemeanors, jury conviction rates were 63% and 53% for 1975 and 1976. Court conviction rates were 79% and 87%. Perhaps the more certain, less ambiguous cases are decided by the court.

For felony cases, jury trials generally exceeded court trials. In 1975, 137 jury trials occurred as compared to 92 court trials. In 1976, the numbers were 127 and 90, respectively. The reverse was true for misdemeanor cases. In 1975, 106 jury trials and 503 court trials were held for misdemeanor cases. In 1976, the numbers were 154 and 543.

Both court and jury trial conviction rates generally varied widely across circuits for both felonies and misdemeanors. An exception is the small variation found in conviction rates for felony court trials (average rate was 97% convictions in 1975 and 91% in 1976.)

Changes over a five-year period (1972 to 1976) were described for the South Dakota probation, prison, and parole populations. The number of inmates in the State Penitentiary in Sioux Falls declined each year since 1972 until 1975 when the prison population began to increase. (A 54% increase in the number of inmates received from court sentencing occurred in 1975.) The number of juveniles placed at the State Training School in Plankinton or at the Youth Forestry Camp has also increased over the years.

The number of inmates paroled jumped sharply (a 49% increase)

from 1972 and 1973, and then **remained** essentially the same through 1976. A steady increase in the number of adults placed on probation has occurred since 1973.

APPENDIX

## APPENDIX A

Number of Inmates in State and Federal Prisons:  
January 1, 1976 and January 1, 1977<sup>a</sup>

State	1/1/76	1/1/77	%Change
Alabama	4,420	3,098(2,300) <sup>b</sup>	+22 <sup>c</sup>
Alaska	349	543	+56
Arizona	2,712	3,072	+13
Arkansas	2,338	2,445	+ 5
California	20,007	20,914	+ 4
Colorado	2,039	2,324	+14
Connecticut	3,060	3,186	+ 4
Delaware	701	953	+36
D.C.	2,330	2,617	+12
Florida	15,709	18,229(373) <sup>b</sup>	+18 <sup>c</sup>
Georgia	11,067	11,423(533) <sup>b</sup>	+ 8 <sup>c</sup>
Hawaii	366	413	+13
Idaho	593	725	+22
Illinois	8,110	10,002	+23
Indiana	4,392	4,430	+ 1
Iowa	1,857	1,956	+ 1
Kansas	1,696	2,126	+25
Kentucky	3,257	3,659	+12
Louisiana	4,774	4,695(1,714) <sup>b</sup>	+34 <sup>c</sup>
Maine	643	622	- 3
Maryland	6,606	6,860(1,070) <sup>b</sup>	+20 <sup>c</sup>
Massachusetts	2,278	2,701	+19
Michigan	10,882	12,462	+25
Minnesota	1,630	1,684	+ 3
Mississippi	2,429	2,135(125) <sup>b</sup>	- 7 <sup>c</sup>
Missouri	4,150	4,748	+14
Montana	377	500	+33
Nebraska	1,259	1,339	+ 6
Nevada	893	953	+ 7
New Hampshire	302	297	- 1
New Jersey	5,277	5,987(200) <sup>b</sup>	+17 <sup>c</sup>
New Mexico	1,118	1,359	+22
New York	16,056	17,791	+11
North Carolina	12,486	13,261	+ 6
North Dakota	205	242	+18
Ohio	11,451	12,626	+10
Oklahoma	3,435	4,106	+19
Oregon	2,442	2,848	+17
Pennsylvania	7,054	7,584	+ 7
Rhode Island	400	544	+36
South Carolina	6,100	6,985	+14
South Dakota	372	521	+40
Tennessee	4,569	5,350	+17
Texas	18,934	20,708	+ 9
Utah	696	827	+19
Vermont	343	386	+12
Virginia	6,092	7,001(1,375) <sup>b</sup>	+11 <sup>c</sup>
Washington	3,063	3,767	+23
West Virginia	1,213	1,216	-
Wisconsin	2,992	3,340	+12
Wyoming	384	355	- 7
Total States and D.C.	225,908	247,913(7,690) <sup>b</sup>	+12 <sup>c</sup>
U.S. Bureau of Prisons	24,134	27,665	+15
Total U.S.	250,042	275,578(7,690) <sup>b</sup>	+13 <sup>c</sup>

<sup>a</sup>From Corrections Magazine, March 1977

<sup>b</sup>Figures in parentheses represent inmates sentenced to state prisons but currently being held in county facilities because of overcrowding.

<sup>c</sup>Includes the inmates sentenced to state prisons but being held in county facilities.